



Dell Mobile Computing Station 2.0

The Dell™ Mobile Computing Station (MCS) 2.0 transports and charges 24 Latitude™ 2100 or 2110 Netbook computers and may include an optional Wireless Access Point (WAP) for remote networking.

FCC Compliance Statement - Managed MCS only

This MCS has been tested and found to comply with the limits for a Class A digital device, pursuant to Part 15 of the FCC rules. These limits are designed to provide reasonable protection against harmful interference when the equipment is operated in a commercial environment. This equipment generates, uses, and can radiate radio frequency energy and, if not installed and used according to the instructions, may cause harmful interference to radio communications. Operation of this device in a residential area is likely to cause harmful interference in which case the user will be required to correct the interference at their own expense.

Operation of this device is subject to the following two conditions: (1) this device may not cause harmful interference, and (2) this device must accept any interference received, including interference that may cause undesired operation.

FCC Caution: Changes or Modifications not expressly approved by Ergotron could void the user's authority to operate the equipment.

FCC Radiation Exposure Statement: This equipment complies with FCC radiation exposure limits set forth for an uncontrolled environment. End users must follow the specific operating instructions for satisfying RF exposure compliance. This equipment should not be co-located or operating in conjunction with any other antenna or transmitter. The minimum separation distance from the antenna to the general bystander is 7.9 inches (20 CM) to maintain compliance. This Class A digital apparatus complies with Canadian ICES-003. / Cet appareil numérique de la classe A est conforme à la norme NMB-003 du Canada.

Contains FCC ID: Q87-WAP4410N
AU: 80325206-E 80325206-RT 80325206-PR1
CN SRRC: 2008DJ4488
CE: 80325206-RT
Anatel: 2384-08-2232
SIRIM: RAVG/05L/1209/S(09-2453)
IC-CB: 3839A-WAP4410N



NOTE: Some devices may not be included if you did not order them.

NOTE: Refer to separate product guides for Netbooks, optional Wireless Access Point and optional Dell PowerConnect™ 3524 Ethernet Switch.

Hazard Symbols Review

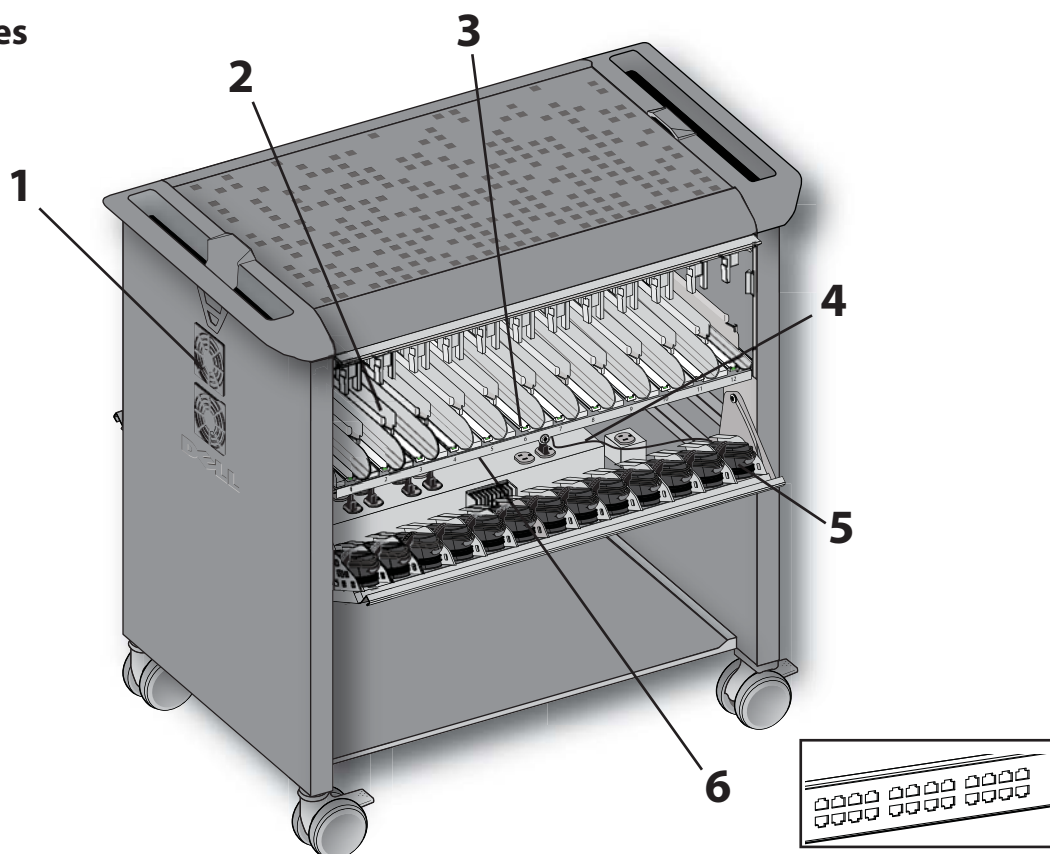
These symbols alert users of a safety condition that demands attention. All MCS users should be able to recognize and understand the significance of the following Safety Hazards if encountered on the MCS or within MCS documentation. Children who are not able to recognize and respond appropriately to Safety Alerts should not use the MCS without adult supervision!

Symbol	Signal Word	Level of Hazard
	NOTE	A NOTE indicates important information that helps you make better use of your MCS.
	CAUTION	A CAUTION indicates either potential damage to hardware or loss of data and tells you how to avoid the problem.
	WARNING	A WARNING indicates either potential for property damage, personal injury, or death.
	ELECTRICAL	An ELECTRICAL indicates an impending electrical hazard which, if not avoided, may result in personal injury, fire and/or death.



Dell Mobile Computing Station 2.0

Interior Features



Upper Compartment

1 Cooling Fans

CAUTION: Do not block fans and vent openings. To prevent overheating, leave at least 5-inch (127 mm) clearance around fans and vents.

2 Netbook Storage

- Storage and simultaneous charging for 24 Latitude™ 2100 or 2110 Netbooks.
- The charge status of individual Netbooks is visible when the compartment is open.

3 Intuitive Docking

- The dock profile matches the Netbook to prevent the user from inserting the Netbook the wrong way.
- Dock and un-dock using just one hand.
- A tab at the front of each dock ensures seating of the power and network connectors with the Netbooks.
- A green bar indicates Netbook is seated properly for charging.
- Exclusive design accepts both standard and touch-screen Latitude 2100 or 2110 Netbooks, in 3-cell or 6-cell battery configurations.

CAUTION: The Dell Mobile Computing Station 2.0 is electrically operated equipment. To avoid risk of electric shock or fire, it must be used with adult supervision.

Lower Compartment

4 Controller Box houses

- Circuit breakers.
- 24 outlets are factory connected to Netbook AC adapters.
- 3 internal accessory outlets factory connected to:
 - 25th AC adapter
 - optional Wireless Access Point (WAP)
 - optional Dell PowerConnect 3524 Ethernet Switch.
- The open (4th) internal outlet must not be used.

CAUTION: Do not connect equipment to open outlet(s).

5 AC Adapters

- 24 adapters factory connected to docks in upper compartment
- 25th adapter provides power distribution to Controller Box.

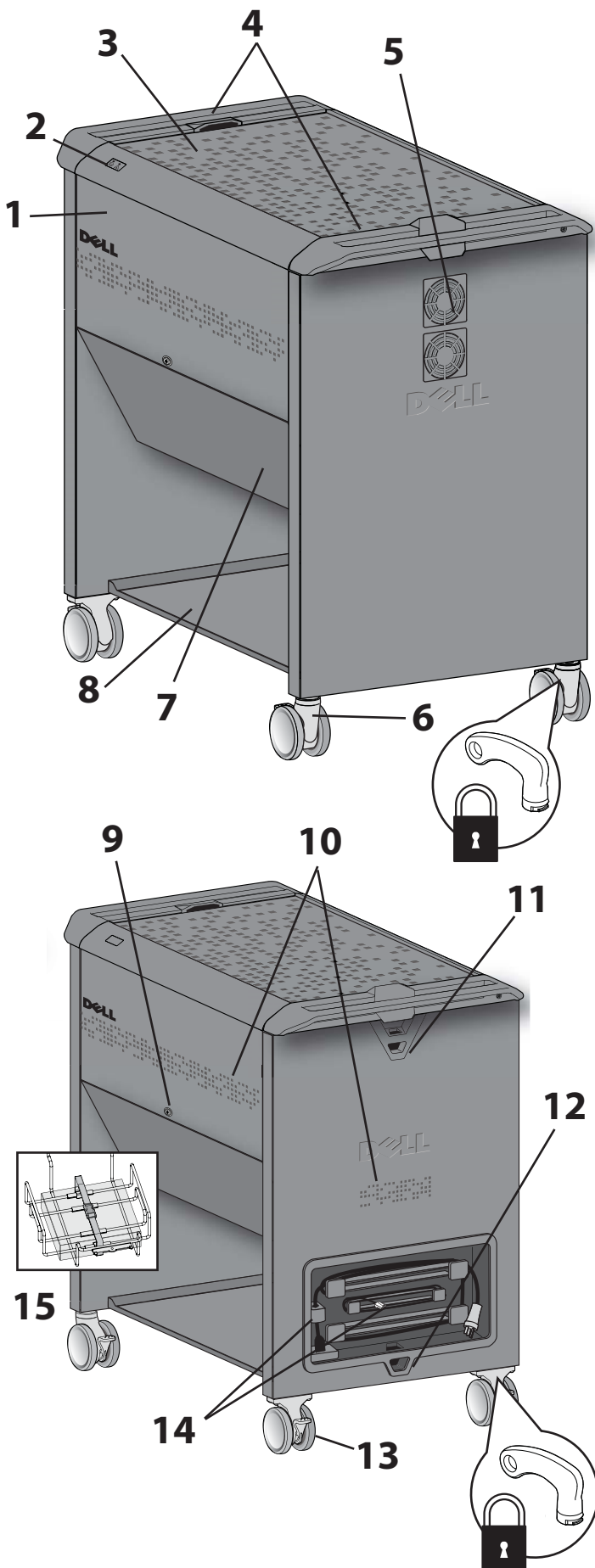
CAUTION: Use only 90 Watt 3 Prong AC Adapters in MCS.

6 Optional Ethernet Switch

- 24, factory connected, 10/100 mbps ports, 2 1000 mbps ports.
- Allows remote network updates to the docked MCS Netbooks.


Dell Mobile Computing Station 2.0

Exterior Features



1 Retractable Doors (upper compartment)

- The upper doors stow under the work surface for unobstructed access to the Netbooks without changing the MCS footprint. When closed, the upper doors overlap the lower doors and conceal the lower compartment locks.

 **CAUTION:** Keep the doors locked when the MCS is unattended or in transit.

2 Power/Fault Status Indicator

- Displays the MCS fault and power indicators.

3 Work Surface With Anti-static Mat


- The maximum weight capacity of the work surface is 25 lb (11.4 kg).

4 Ergonomic Handles

- Positioned at each end of the MCS for optimum comfort and maneuverability.

5 Fan Guards

- Allow air flow and offer protection from fan blades.


 **CAUTION:** Do not block fan or vent openings. To prevent overheating, leave 5-inches (127 mm) or more clearance around fan and vent openings.

6 Keyed, Rotating Front Casters

- The 4-inch (101 mm) rotating casters make steering and moving over thresholds easier; the casters can be locked to prevent rolling; 2 keys are provided for the brake lock feature.

7 Locking, Hinged Doors (Lower Compartment)

- When closed, the AC Adapters and Controller Box are concealed from view.
- The Risk of Shock label on the door alerts adults to prohibit children from opening the lower compartments.

 **ELECTRICAL:** Always disconnect the MCS power cable from the wall outlet before opening the lower compartments. Do not allow children to open the lower compartments.

8 Lower Storage Shelf

- The maximum weight capacity of the lower shelf is 60 lb (27.2 kg).

9 Locks

- 4 locks: one on each upper compartment door, one on each lower compartment door; all four locks open with the same key (4 keys are provided).

10 Ventilation System

- The vents on the sides and back end of the MCS improve air flow; the compartment contents are hidden from view.

11 Theft Deterrent Loops

- A heavy-duty loop is located near the handle above the cable bay.

12 MCS Security

- A heavy-duty loop is located near the recessed cable management area to anchor the MCS to the wall or to the floor.

13 Keyed, Fixed Rear Casters

- The 4-inch (101 mm) fixed casters make maneuvering the MCS easier.
- The casters can be locked to prevent rolling; 2 keys are provided for the brake lock feature.

14 External Cable Management Bay

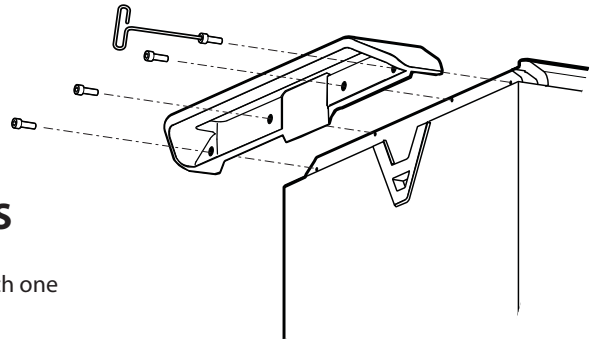
- Keeps the MCS power cable and Ethernet cable organized, protected and close-at-hand; includes an 8-foot (2.4 m) power cable and 10-foot (3 m) Ethernet cable.

15 Optional Wireless Access Point (WAP)

- Located beneath the lower compartments.
- The wire guard and strap hold the WAP securely, protecting it from damage.

Set-Up and Go

CAUTION: Observe all the safety precautions related to the Dell MCS operation and maintenance included in this reference guide! Failure to follow the safety precautions may result in injury or damage to equipment.



1 Ensure handles are securely attached to MCS

Eight screws (four at each handle) and a hex tool have been provided to attach one handle at each side of the MCS work surface.

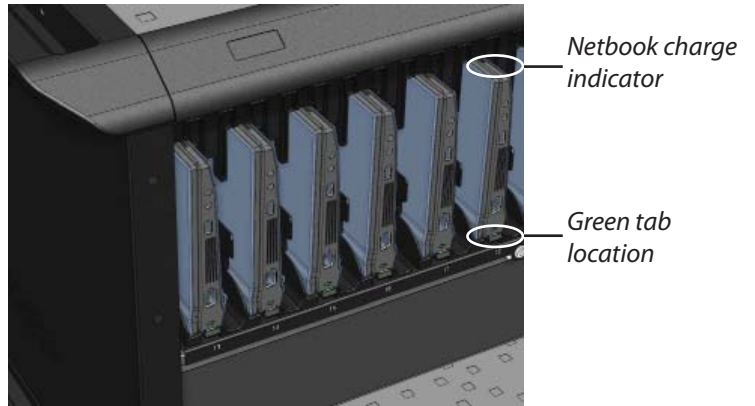
2 Insert Netbooks into docks

Using the provided keys, unlock the two top compartment doors. Lift the doors up and out, allowing the doors to drop slightly, then lift the doors up and push them under the work surface.

Insert the Netbooks into the docks with the front edge of the Netbook at the top and the power/Ethernet connectors leading into the docking station.

The green tab at the front of the dock will be visible if the Netbook has been properly seated.

Charging activity can be viewed at the top edge of each Netbook when docked.



CAUTION: To avoid injury or equipment damage, ensure area is clear before closing upper doors.

CAUTION: There is no on/off switch on this equipment; the only power disconnect is the AC power cable. Therefore, the socket outlet should be easily accessible and should be installed near the equipment.

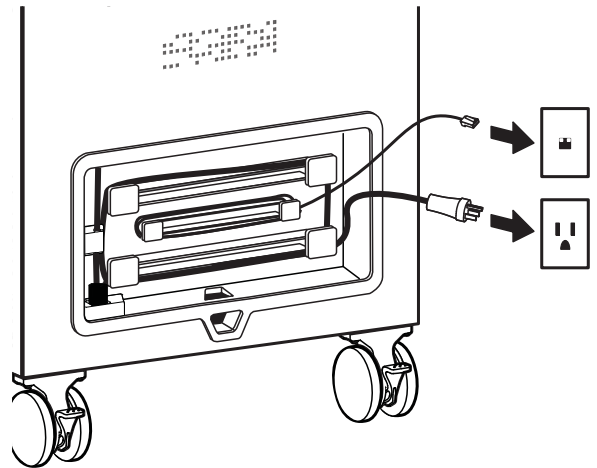
3 First Time Battery Charge

Before using the Netbooks for the first time or after they have spent some time in storage, ensure that the Netbooks have a full (100%) charge.

Connect the MCS power cable to a dedicated circuit, (one that is not being shared with other devices).

Verify that the blue light on the Power/Fault Status Indicator near the MCS work surface is lit.

Prior to first time use, allow the Netbooks to charge in the MCS for at least 2-3 hours before removing them from the docks.



Monitoring Netbook Power

The Power/Fault Status Indicator lights near the MCS work surface communicate the following conditions.

Power/Fault Status Indicator

Signal

Meaning



Blue light, solid

Power "ON"



Amber light, flashing

Maximum temperature has been exceeded

* When recommended temperature has been exceeded, power to the Netbooks is terminated. Charging resumes once the temperature falls within an acceptable operating range.

NOTE: Charge status of individual Netbooks can be seen directly on Netbooks when docked and the upper compartment doors are open.

Troubleshooting

Problem	Possible Cause	Solution
Netbook(s) not charging.	Wall power may not be reaching the MCS Netbooks due to <ul style="list-style-type: none"> • unplugged power cable • improper docking of Netbook(s) • tripped electrical circuit 	<ul style="list-style-type: none"> • Ensure that power cable is plugged into a wall outlet. • Verify that Netbook is docked properly: the green tab at the edge of the dock is visible. • Check circuit breakers. • If another electrical device is sharing the same circuit as the MCS, unplug the other device.
Power/Fault Status Amber Indicator light is flashing.	Indicates possible overheating.	<ul style="list-style-type: none"> • Ensure areas around the fans and vents are unobstructed. • Take measures to reduce room temperature below 30° C (86° F). • Power cable must remain plugged-in so that the fans continue to operate. Once the temperature has dropped to a safe level, charging will resume.

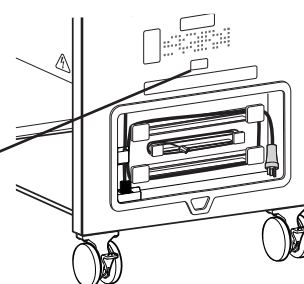
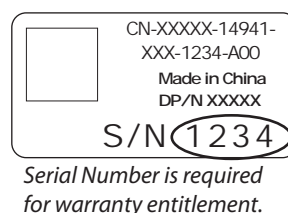
For problems not addressed above, visit www.ergotron.com/Dell

Service and Warranty

For Service on the Dell Mobile Computing Station 2.0
Visit www.ergotron.com/Dell



NOTE: When contacting customer service, reference the serial number located above the external cable management bay.



Specifications

Power System

120 V~, 12 A, 60 Hz or 220/230/240 V~, 8 A, 50/60 Hz depending on region and model of Dell MCS 2.0

MCS Physical Dimensions

Height	982.98 mm (38.7-inches)
Length	1016 mm (40-inches)
Width	609.6 mm (24-inches)
Weight (without Netbooks)	104 kg (230 lb)
Weight Capacity:	
Top Surface	11.34 kg (25 lb)
Lower Shelf	27.2 kg (60 lb)
Tip Test/Angle	10 degrees

AC Adapters (25)

90 Watt 3 Prong AC Adapter

Optional Wireless Access Point (WAP)

Cisco WAP4410N-XX

Optional Ethernet Switch

Dell PowerConnect 3524 Ethernet Switch

Environmental

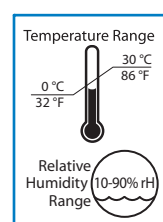
Temperature range:

Operating	0° to 30°C (32° to 86°F)
Storage	-40° to 65°C (-40° to 149°F)

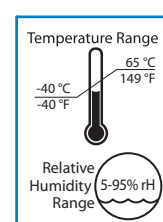
Relative humidity (maximum):

Operating	10%–90% (non condensing)
Storage	5%–95% (non condensing)

Altitude (maximum): 2000 m (6,562 ft)



Operational



Storage

Ergonomics and Safety Alerts

Moving the Dell Mobile Computing Station 2.0

The Dell Mobile Computing Station (MCS) is designed to be used indoors only.

WARNING: Failure to observe the following safety notices may result in serious personal injury or equipment damage.

WARNING: Before moving the MCS:

1. Disconnect the power and Ethernet cables from the wall.
2. Make sure the cables are wrapped and secure.
3. Close and lock the upper and lower compartment doors.
4. Remove items from the top work surface and the lower shelf.
5. Unlock the casters.
6. Push (do not pull) the MCS at the back (where the cable management bay is located) for optimum maneuverability and to prevent muscle strain
7. Do not move the MCS across rough, uneven or irregular surfaces such as gravel.

WARNING: Do not allow children to move the MCS unless supervised by an adult who is familiar with all aspects of its operation.

WARNING: Do not sit, stand, or climb on MCS. The maximum weight capacity of the top surface is 11.4 kg (25 lb) and lower shelf is 27.2kg (60 lb).

CAUTION: Do not use the MCS to transport or store equipment other than what has been noted in this guide.

WARNING: Do not lift the MCS from bottom.



WARNING
Tip Hazard! Do not allow children to use cart without adult supervision. Failure to follow this warning may result in injury or equipment damage.

AVERTISSEMENT
Risque de renversement. Interdite aux enfants d'utiliser le chariot sans la surveillance d'un adulte. Risque de blessure ou d'endommagement matériel en cas de non-respect de cet avertissement.

ADVERTENCIA
¡Peligro de vuelco! No permita que los niños utilicen el carro sin supervisión de un adulto. En caso contrario, podrían producirse lesiones físicas o daños en el equipo.

WAARSCHUWING
Kippgevaar! Sta kinderen niet toe de trolley te gebruiken zonder supervisie van een volwassene. Het nalaten deze waarschuwing op te volgen, kan resulteren in letsel of schade aan de apparatuur.

警告
倾覆危险！严禁儿童在没有成人监护下使用手推车。不遵守此警告可导致受伤或设备损坏。

ATENÇÃO
Advertência! Não permitir que crianças usem o carrinho sem supervisão de adultos. A não observação deste alerta pode resultar em acidentes ou danos ao equipamento.





Ergonomics and Safety Alerts


Parking the Dell Mobile Computing Station 2.0

The Dell MCS can be anchored using the heavy duty security loop located at the back of the cart (near the cable management bay.)

 **WARNING: Failure to observe the following safety notices may result in serious personal injury or equipment damage.**

 **CAUTION:** Do not block the fans and vent openings. To prevent overheating, leave at least 127 mm (5-inch) clearance around fans and vents.


 **WARNING:** Do not park the MCS in areas of heavy traffic.

 **WARNING:** Do not run cables through doorways, holes in ceilings, wall, or floors.


 **WARNING:** Do not run cables across hallways, classrooms, or other areas where they will be walked on.

 **WARNING:** Do not leave MCS unattended in areas where children have access.

 **WARNING:** Keep MCS doors closed and locked whenever it is unattended or parked for charging or storage.


 **WARNING:** Do not place heavy objects on the MCS. The maximum weight capacity of the top surface is 11.4 kg (25 lb) and lower shelf is 27.2kg (60 lb).


 **WARNING:** Do not use the MCS to store liquids or cleaning supplies.


 **ELECTRICAL:** Do not place MCS in close proximity to flammable liquids or gases.


 **ELECTRICAL:** Using an incompatible cable or improperly connecting the cable to the controller box may cause fire or equipment damage.


 **ELECTRICAL:** Do not use flammable cleaners on MCS surfaces.

 **CAUTION:** Adjustment, Service, Replacement - DO NOT attempt to adjust, service or replace any part of the MCS unless directed to do so through Ergotron-approved documentation (i.e. installation instructions). Only Ergotron, Inc. or an Ergotron-certified entity may adjust, service or replace MCS components. If any component on the MCS is missing or damaged, the MCS must not be used. Contact Ergotron immediately to request a replacement part.

 **CAUTION:** Casters - Check casters periodically to make sure they are clean and free of debris that would prevent smooth travel. Avoid moving MCS across uneven, dirty, or damaged surfaces.

 **CAUTION:** Customer Equipment- Make sure equipment is balanced and mounted securely to MCS. Contact Ergotron for information about moving MCS components.

 **CAUTION:** MCS must be periodically inspected for damage, and any broken parts replaced as necessary.


 **NOTE:** Cables - Keep cables organized on the MCS (a variety of solutions are provided with your MCS for this purpose). Route excess cables away from moving components with cable clips. Contact Ergotron for more information.


Cleaning and Maintenance

 **WARNING: Failure to observe the following safety notices may result in serious personal injury or equipment damage.**

Inspect for damage, dirt and debris on a regular basis. All paint and plastic components used in the MCS will withstand cleaning by most commonly used, diluted, non-abrasive solutions such as quaternary ammonia compounds, ammonia enzyme cleaners, bleach, or alcohol solutions. It is recommended that any cleaning solution be tested on a small, inconspicuous area to ensure it does not harm the surface of the MCS.

- Marks from permanent marker, dry-erase marker, and pens can be removed with 91% isopropyl alcohol and a soft cloth.
- Iodine stains can be removed with commonly used cleaners and a soft cloth.
- Do not use steel wool or other abrasive materials that may damage the surface finish.

 **ELECTRICAL:** To avoid risk of electric shock, do not expose electrical components to water, cleaning solutions or other potentially corrosive liquids or substances.

 **ELECTRICAL:** Do not immerse MCS or MCS components in liquid or allow liquids to flow into the MCS. Wipe all cleaners off surface immediately using a damp cloth. Dry the surface thoroughly after cleaning.

Ergonomics and Safety Alerts

Power Cables and Equipment Cables

There are specific risks associated with the use of equipment having power cables. You must be aware of these risks and avoid these risks when the MCS is located in close proximity to children.

! WARNING: Failure to observe the following safety notices can result in fire or death by electric shock.

ELECTRICAL: Disconnect MCS power cable from wall outlet before opening lower compartment. Do not allow children to open lower compartment.

CAUTION: Double Pole / Neutral Fusing.

ELECTRICAL: The ethernet port is not suitable for connection to circuits used outside the building. The ethernet port is subject to lightning or power faults.

ELECTRICAL: Inspect power cables thoroughly before each use. Do not use cables that are damaged.

ELECTRICAL: Do not plug power sources with wattage rating higher than specified for the MCS.

ELECTRICAL: Do not run cable through doorways, holes in ceilings, walls or floors.

ELECTRICAL: Insert plug completely into outlet.

ELECTRICAL: Do not remove, bend or modify any metal prongs or pins of cable.

ELECTRICAL: Do not substitute supplied AC Adapters.

ELECTRICAL: Do not use excessive force to make connections.

ELECTRICAL: Keep away from water. Do not use when wet.

ELECTRICAL: Keep children away from cable.

ELECTRICAL: Keep children away from internal MCS components.

ELECTRICAL: Do not plug cable into an extension cable.

ELECTRICAL: Avoid overheating. Uncoil cable and do not cover it with any material.

ELECTRICAL: Do not drive, drag or place objects over cable. Do not walk on cable.

ELECTRICAL: Grasp plug to remove from outlet. Do not unplug by pulling on cable.



DANGER! Risk of Electric Shock

DANGER! Electrical cables can be hazardous. Misuse can result in fire or death by electrical shock.

NOM Información para NOM (únicamente para México)

La información siguiente se proporciona en el dispositivo o dispositivos descritos en este documento, en cumplimiento con los requisitos de la Norma oficial mexicana (NOM):

Importador:

Dell México S.A. de C.V.
 Paseo de la Reforma 2620 - 11° Piso
 Col. Lomas Altas
 11950 México, D.F.

Modelo	Voltage de alimentación	Frecuencia	Consumo eléctrico
Dell MCS 2.0	120 V~	50Hz	12A

Warranty

3 years for mechanical components and functions and 1 year for electrical components and functions. All third party components (Optional Ethernet Switch, Optional Wireless Access Point (WAP), Dell Power Cables, and AC Adapters) will follow the warranty as defined by the manufacturer.



© 2010 Ergotron, Inc.
 All rights reserved.

While Ergotron, Inc. makes every effort to provide accurate and complete information on the installation and use of its products, it will not be held liable for any editorial errors or omissions (including those made in the process of translation from English to another language), or for incidental, special or consequential damages of any nature resulting from furnishing this instruction and performance of equipment in connection with this instruction. Ergotron, Inc. reserves the right to make changes in the product design and/or product documentation without notification to its users. For the most current product information, or to know if this document is available in languages other than those herein, please contact Ergotron. No part of this publication may be reproduced, stored in a retrieval system, or transmitted in any form or by any means, electronic, mechanical, photocopying, recording or otherwise without the prior written consent of Ergotron, Inc., 1181 Trapp Road, Eagan, Minnesota, 55121, USA Patents Pending and Patented U.S. & Foreign. Ergotron is a registered trademark of Ergotron, Inc.

CUSTOM SOLUTION FOR DELL BY ERGOTRON
 For service visit www.ergotron.com/Dell

Station d'ordinateur mobile 2.0 de Dell

La station d'ordinateur mobile 2.0 de Dell™ (MCS) transports et charges 24 Latitude™ 2100 ou 2110 Ordinateurs portables Netbook et pouvant comprendre en option un point d'accès sans fil (WAP)



FRANÇAISE

Certificat de conformité FCC - Uniquement les stations d'ordinateur mobile

Cette station d'ordinateur mobile a été testée et trouvée en accord avec les limitations relatives aux appareils numériques de Catégorie A, conformément à la section 15 des règles de la FCC. Ces normes sont établies pour offrir une protection raisonnable contre les interférences préjudiciables dans un environnement commercial. Cet appareil génère, utilise et peut émettre des ondes de radiofréquence et, s'il n'est pas installé et utilisé conformément aux instructions, il peut être une cause d'interférences préjudiciables pour les communications radio. L'utilisation de cet appareil dans une zone résidentielle risque de causer des interférences préjudiciables auquel cas l'utilisateur devra corriger l'interférence à ses frais.

Le fonctionnement de cet appareil est soumis aux deux conditions suivantes: (1) ce dispositif ne peut être la cause d'interférences préjudiciables et (2) il doit supporter toute interférence reçue, y compris des interférences pouvant causer un fonctionnement non désiré.

Précaution FCC: Tout changement et toute modification non expressément approuvés par Ergotron, peuvent annuler la capacité de l'utilisateur à utiliser le matériel. Certificat d'exposition aux radiations FCC Cet équipement est conforme aux limites d'exposition aux radiations établies Pour un environnement non contrôlé. Les utilisateurs finaux doivent suivre les instructions d'opération spécifiques pour répondre aux normes d'exposition RF. Cet équipement ne doit pas être coimplanté ou opéré conjointement avec une autre antenne ou un autre émetteur. La distance minimale de séparation de l'antenne jusqu'au tiers est de 20 cm (7,9 pouces) pour garantir la conformité.

Cet appareil numérique de la classe A est conforme à la norme NMB-003 du Canada.
Contient une identification FCC: Q87-WAP4410N
AU: 80325206-E 80325206-RT 80325206-PR1
CN SRRC: 2008DJ4488
CE: 80325206-RT
Anatel: 2384-08-2232
SIRIM: RAVG/05L/1209/S(09-2453)
IC-CB: 3839A-WAP4410N



REMARQUE: il peut manquer certains équipements si vous ne les avez pas commandés.

REMARQUE: Référez-vous aux différents guides de produit de Netbooks, au point d'accès sans fil en option et interrupteur Ethernet Dell PowerConnect™ en option.

Revue des symboles de danger

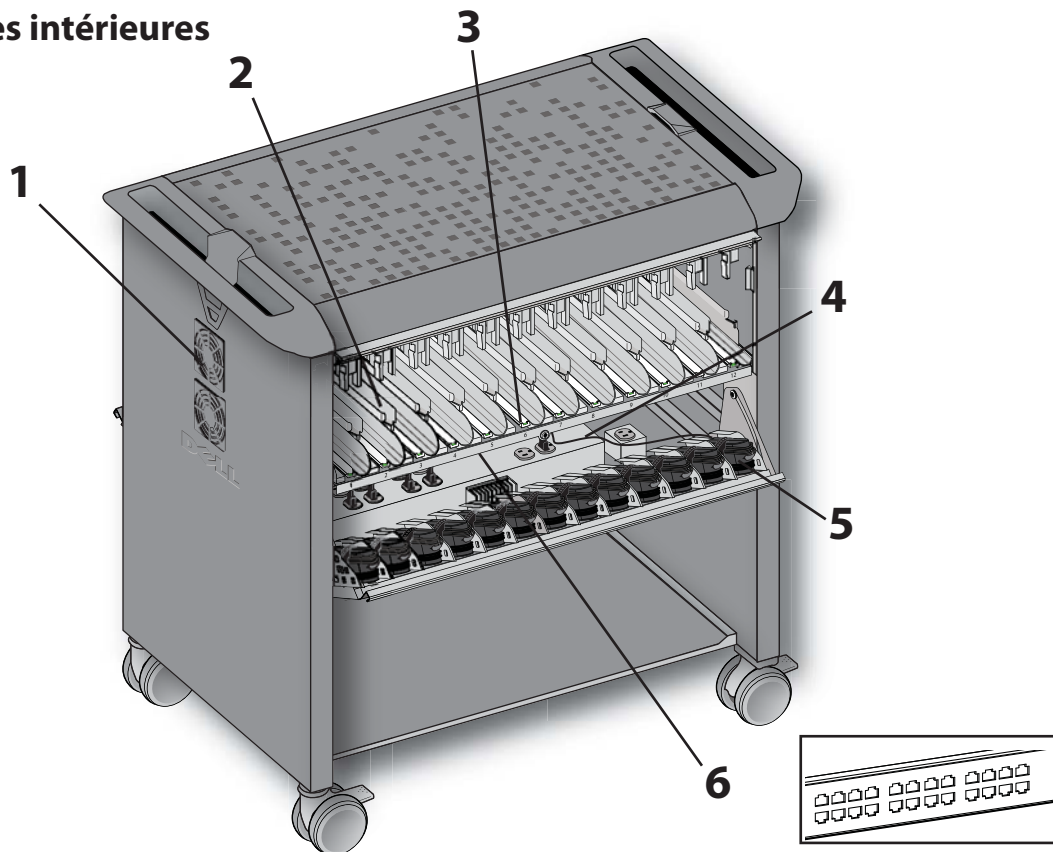
Ces symboles avertissent les utilisateurs des conditions de sécurité qui nécessitent votre attention. Tous les utilisateurs de stations d'ordinateurs mobiles doivent être en mesure de reconnaître et de comprendre la signification des situations dangereuses suivantes s'ils les rencontrent dans les stations d'ordinateurs mobiles ou dans la documentation relative aux stations d'ordinateur mobile. Les enfants qui ne sont pas en mesure de reconnaître et de réagir correctement aux alertes de sécurité ne doivent pas utiliser la station d'ordinateur mobile sans la surveillance d'un adulte!

Symbole	Signal Mot	Niveau de danger
	NOTE	Un symbole NOTE indique de l'information importante qui vous aide à faire un meilleur usage de votre station de travail mobile.
	ATTENTION	Un symbole ATTENTION indique soit un dommage potentiel au matériel ou une perte de données et vous indique comment éviter le problème.
	AVERTISSEMENT	Un symbole AVERTISSEMENT indique un potentiel de dommage matériel, de blessure corporelle ou de mort.
	ÉLECTRIQUE	Un symbole ÉLECTRIQUE indique un danger électrique imminent qui, s'il n'est pas évité, peut provoquer une blessure corporelle, un incendie et/ou la mort.



Station d'ordinateur mobile 2.0 de Dell

Caractéristiques intérieures



Compartiment supérieur

1 Ventilateurs refroidissants

ATTENTION: Ne bloquez pas les ouvertures de ventilation et d'aération. Pour empêcher la surchauffe, laissez un espace libre d'au moins 127 mm (5 pouces) autour des ventilateurs et des aérations.

2 Rangement de Netbook

- Rangement et chargement simultané pour 24 Latitude™ 2100 ou 2110 Netbooks.
- L'état de chargement de chaque Netbook est visible lorsque le compartiment est ouvert.

3 Station d'accueil intuitive

- Le profil de la station d'accueil correspond au Netbook pour empêcher l'utilisateur d'insérer la Netbook de la mauvaise façon.
- Connectez et déconnectez-vous de la station d'accueil à l'aide d'une seule main.
- Une languette verte devant chaque station d'accueil assure l'alimentation en énergie et que les connecteurs de réseau soient bien installés avec les Netbooks.
- Une barre verte indique que Netbook est correctement installé pour le chargement.
- Un design exclusif acceptant à la fois les configurations standards et à écran tactile Latitude 2100 ou 2110 Netbooks, en 3 éléments de batterie or 6 éléments de batterie

ATTENTION: La station d'ordinateur mobile 2.0 de Dell est un équipement alimenté électriquement. Pour éviter les risques de choc électrique ou d'incendie, il doit être utilisé sous la surveillance d'un adulte.

Compartiment inférieur

4 Incorporations de boîtier de contrôleur

- Disjoncteurs.
- 24 prises sont connectées en usine aux adaptateurs C.A. de Netbook.
- 3 prises accessoires internes sont connectées en usine à:
 - 25ème adaptateur C.A.
 - Point d'accès sans fil (WAP) en option
 - interrupteur Ethernet Dell PowerConnect™ en option.
- Le 25e adaptateur fournit la distribution d'énergie au boîtier contrôleur.

ATTENTION: Ne pas connecter les équipements aux prises ouvertes.

5 Adaptateur C.A.

- La prise interne ouverte (4e) ne doit pas être utilisée.
- 24 adaptateurs connectés en usine aux stations d'accueil dans le compartiment supérieur

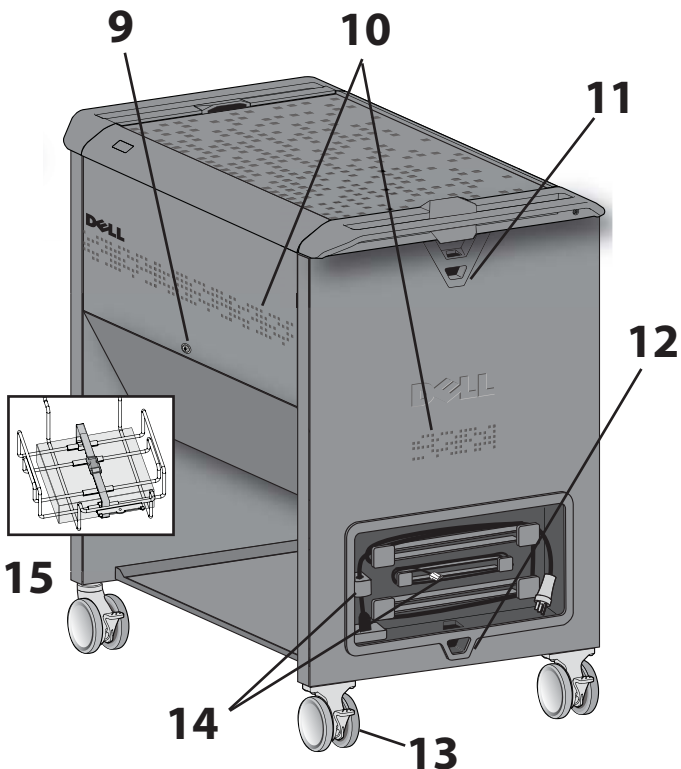
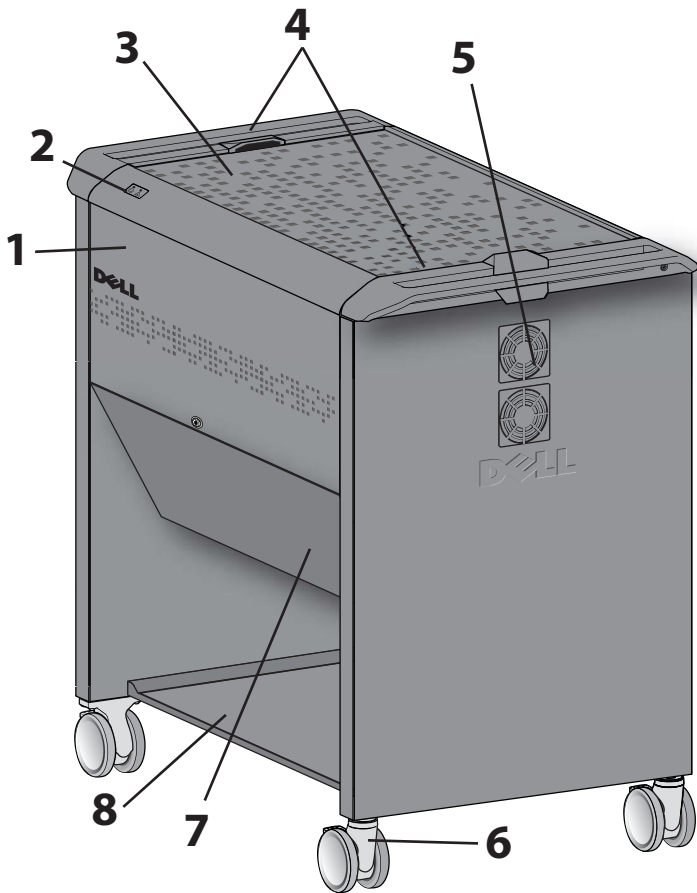
ATTENTION: N'utilisez que 3 adaptateurs C.A. en broche de 90 Watts dans la station d'ordinateur mobile.

6 Interrupteur Ethernet en option

- 24, connecté en usine, 10/100 ports mbps, 2 1000 ports mbps.
- Permet les mises à jour de réseau à distance aux Netbooks MCS en station d'accueil.

Station d'ordinateur mobile 2.0 de Dell

Caractéristiques extérieures



1 Portes rétractables (compartiment supérieur)

- Les portes supérieures rangées sous la surface de travail pour un accès libre aux Netbooks sans avoir à changer l'espace de la MCS. Lorsque les portes supérieures sont fermées elles chevauchent les portes inférieures et cachent les verrouillages des compartiments inférieurs.

ATTENTION: Gardez les portes verrouillées lorsque la MCS est sans surveillance ou en transit.

2 Indicateur d'état de l'alimentation/de la panne

- Affiche les indicateurs de la panne et du niveau d'alimentation de la MCS.

3 Surface de travail avec tapis antistatique

- La capacité de poids maximale de la surface de travail est de 11,4 kg (25 lb).

4 Poignée ergonomique

- Placée à l'extrémité de chaque MCS pour le meilleur du confort et de la manœuvrabilité.

5 Grilles de protection

- Permettent le flux d'air et protègent des pales de ventilateur.

ATTENTION: Ne bloquez pas les ouvertures de ventilation et d'aération. Pour empêcher la surchauffe, laissez un espace libre de 127 mm (5 pouces) autour des ouvertures de ventilation et d'aération.

6 Roulettes avant rotative à détrompeur

- Les roulettes rotatives de 101 mm (4 pouces) facilitent la direction et le mouvement sur les seuils ; les roulettes peuvent être verrouillées pour empêcher tout déplacement ; 2 des clés sont fournies pour bloquer le frein.

7 Verrouillage, portes ferrée (compartiment inférieur)

- Lorsqu'ils sont fermés, les adaptateurs C.A. et le boîtier contrôleur sont cachés.
- Le risque de choc inscrit sur la porte signale aux adultes d'interdire aux enfants d'ouvrir les compartiments inférieurs.

ÉLECTRIQUE: Toujours déconnecter le câble d'alimentation de la MCS de la prise murale avant d'ouvrir les compartiments inférieurs. Interdisez aux enfants d'ouvrir les compartiments inférieurs.

8 Support de rangement inférieur

- La capacité de poids maximale du support inférieur est de 27,2 kg (60 lb).

9 Verrous

- 4 Verrous Un sur chaque porte de compartiment supérieur, un sur chaque Porte de compartiment inférieur ; les quatres verrous s'ouvrent avec la même clé (4 clés sont Fournies).

10 Système de ventilation

- Les aérations sur les côtés et derrière la MCS améliorent le flux d'air ; les contenus des compartiment sont à l'abri des regards.

11 Boucles de prévention du vol

- Une boucle solide est située à côté de la poignée au-dessus de la baie de câble.

12 Dispositifs de sécurité de la MCS

- Une boucle solide est située à côté de la poignée au-dessus des câbles encastrés. pour fixer la MCS au mur ou au sol.

13 Roulettes à frein fixe et à détrompeur

- Les roulettes fixes de 101 mm (4 pouces) facilitent la manœuvre de la MCS
- Les roulettes peuvent être verrouillées pour une parfaite immobilisation ; 2 clés sont fournies pour la fonction de verrouillage de frein.

14 Baie de gestion de câble externe

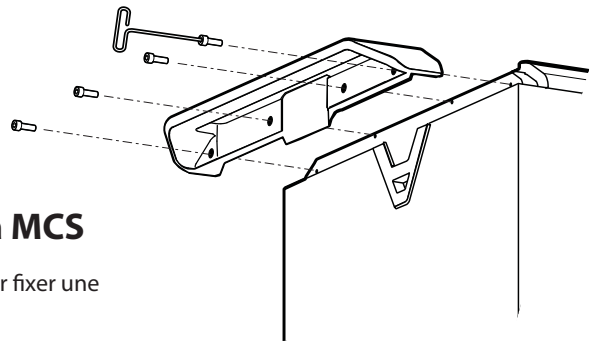
- garde le câble d'alimentation de la MCS et le câble Ethernet rangés et protégés Et accessible à la fois ; comprend un câble de 2,4 m (8 pieds) et un câble Ethernet de 3 m (10 pieds)

15 Point d'accès sans fil (WAP) en option

- Situé sous les compartiments inférieurs.
- Le dispositif de protection et la connexion métallique maintiennent le WAP en sécurité et le protège de tout dommage.

Guide Set-up and Go

ATTENTION: Respecter toutes les précautions de sécurité en matière d'opération et de maintenance de la MCS Dell. Elles sont indiquées dans ce guide de référence ! Si vous ne vous conformez pas aux mesures de sécurité, cela peut entraîner des blessures ou des dégâts matériels.



1 Assure que les poignées sont bien fixées à la MCS

Huit vis (quatre à chaque poignée) et un outil hexagonale ont été fournis pour fixer une poignée de chaque côté de la surface de travail de la MCS.

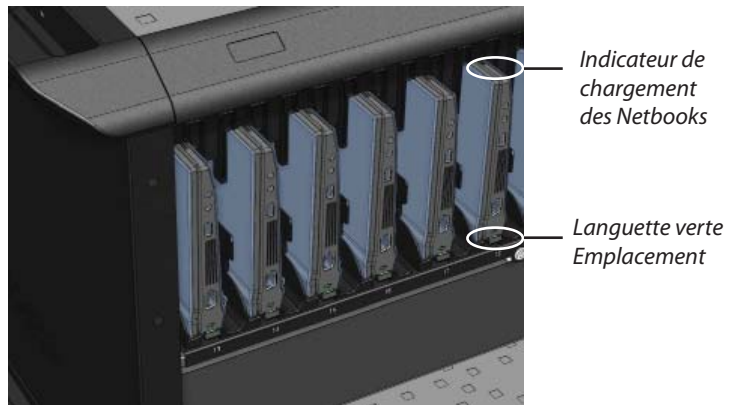
2 Insère les Netbooks dans les stations d'accueil

Avec les clés fournies, déverrouillez les deux portes des compartiments supérieurs. Soulevez les portes et tirez-les vers l'extérieur pour qu'elles se rabaissent légèrement, puis soulevez les portes et poussez-les sous la surface de travail.

Insérez les Netbooks dans les stations d'accueil avec le rebord avant du Netbook vers le haut et les connecteurs d'alimentation/Ethernet se dirigeant vers l'intérieur de la station d'accueil.

La languette verte à l'avant de la station d'accueil sera visible si le Netbook a été correctement installé.

Le chargement peut être affiché sur le bord supérieur de chaque Netbook installé dans la station d'accueil.



Indicateur de chargement des Netbooks

Languette verte Emplacement

ATTENTION: Pour éviter toute blessure ou endommagement matériel, assurez-vous que la zone soit nette avant de fermer les

ATTENTION: Il n'y a pas de bouton On/Off sur cet équipement ; seul le câble C.A. d'alimentation permet de le mettre hors tension. Donc, la prise secteur doit être facilement accessible et installée à proximité de l'équipement.

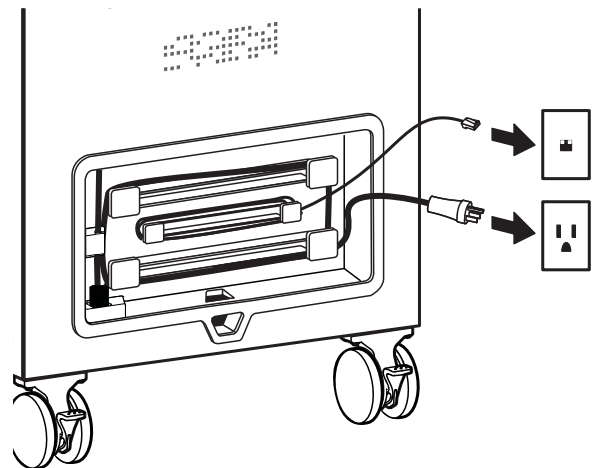
3 Première charge de batterie

Avant d'utiliser les Netbooks pour la première fois ou après qu'ils aient passé quelque temps rangés, assurez-vous que les Netbooks aient un chargement rempli (100 %).

Connecter les câbles d'alimentation de la MCS à circuit spécialisé, (un qui ne soit pas partagé avec d'autres appareils).

Vérifier que la lumière bleue sur l'indicateur d'état d'alimentation / de panne à côté de la surface de travail de la MCS soit allumée.

Avant la première utilisation, laisser les Netbooks se charger dans la MCS pendant au moins 2 à 3 heures avant des les enlever des stations d'accueil. Les lumières de l'indicateur d'état d'alimentation / de panne à côté de la surface



Surveillance de la charge des netbooks

Les lumières de l'indicateur d'alimentation/panne sur le haut de la station de travail mobile vous informent des conditions suivantes:

L'indicateur d'alimentation/panne

Signaux

Signification

REMARQUE: L'état de chargement de chaque Netbook peut être vu directement sur les Netbooks lorsqu'ils sont installés sur la station d'accueil et que les portes du compartiment supérieur sont ouvertes.



Lumière bleue, forte

Alimentation "ON"

Voyants jaunes, clignotant

La température maximum a été dépassée et retombe à un niveau d'opération acceptable.

* Lorsque la température maximum a été dépassée, l'alimentation aux Netbooks est terminée. Le chargement reprend une fois que la température retombe à un niveau d'opération acceptable.


Dépannage

Problème	Cause possible	Solution
Le(s) Netbook(s) ne se charge(nt) pas. pas.	L'alimentation du mur n'atteint peut-être pas les Netbooks de la MCS, à cause: <ul style="list-style-type: none"> • d'un câble d'alimentation débranché • de Netbook(s) mal ancré(s) • d'un court-circuit électrique 	<ul style="list-style-type: none"> • S'assurer que le câble d'alimentation est branché à la prise murale. • Vérifier que le Netbook est correctement connecté: la languette verte sur le bord de la station d'accueil est visible. • Vérifier les disjoncteurs. • Si un autre appareil électrique partage le même circuit que la MCS, débrancher l'autre appareil.
La lumière jaune de l'indicateur d'état d'alimentation/de panne clignote.	Cela indique une surchauffe possible.	<ul style="list-style-type: none"> • Assurez-vous que rien n'obstrue les ouvertures et l'aération. • Prendre les mesures nécessaires pour baisser la température ambiante en-dessous de 30°C (86°F). • Le câble d'alimentation doit rester branché pour que les ventilateurs continuent de fonctionner. Une fois que la température aura atteint un niveau sûr, le chargement reprendra.

Pour les problèmes non mentionnés ci-dessus, consultez la page www.ergotron.com/Dell

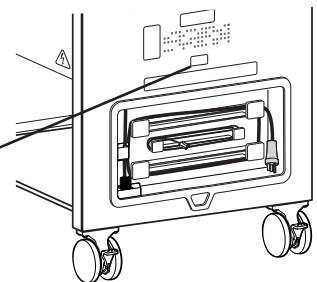
Entretien et garantie

Pour un entretien de la station de travail mobile 2.0 de Dell consultez la page www.ergotron.com/Dell

 **REMARQUE:** Lorsque vous contactez le service client, indiquez le numéro de série se trouvant au-dessus de la baie de rangement de câble externe.



Le numéro de série est requis pour avoir droit à la garantie.



Spécifications

Système d'alimentation

120 V~, 12 A, 60 Hz ou 220/230/240 V~, 8 A, 50/60 Hz selon la région et le modèle de MCS 2.0 de Dell

Dimensions physiques de la MCS

Hauteur	982,98 mm (38,7 pouces)
Longueur	1 016 mm (40 pouces)
Largeur	609,6 mm (24 pouces)
Poids (sans les Netbooks)	104 kg (230 lb)
Capacité pondérale:	
Surface supérieure	11,34 kg (25 lb)
Support inférieur	27,2 kg (60 lb)
Pointe/Angle	à 10 degrés

Adaptateurs secteur (25)

3 adaptateurs broches CA de 90 W

Point d'accès sans fil (WAP) en option

Cisco WAP4410N-XX

Commutateur Ethernet en option

Commutateur Ethernet 3524 PowerConnect de Dell

Caractéristiques environnementales

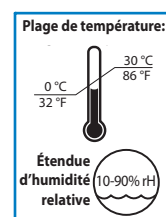
Plage de température:

Fonctionnement	0 à 30 °C (32 à 86 °F)
Stockage	-40 à 65 °C (-40 à 149°F)

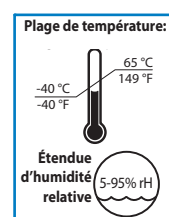
Humidité relative (maximum):

Fonctionnement	10 à 90 % (sans condensation)
Stockage	5 à 95 % (sans condensation)

Altitude (maximum): 2 000 m (6 562 pieds)



Fonctionnement



Stockage

Ergonomie et alertes de sécurité

Déplacer la station de travail mobile 2.0 de Dell

La station de travail mobile (MCS) 2.0 de Dell est conçue pour être utilisée à l'intérieur uniquement.

AVERTISSEMENT: Risque de blessure corporelle ou d'endommagement matériel en cas de non-respect des consignes de sécurité.

AVERTISSEMENT: Avant de déplacer la MCS :

1. Déconnecter le câble d'alimentation et le câble Ethernet du mur.
2. S'assurer que les câbles sont revêtus et sûrs.
3. Fermer et verrouiller les portes des compartiments supérieur et inférieur.
4. Enlever les éléments de la surface de travail supérieure et du support inférieur.
5. Déverrouiller les roulettes.
6. Pousser (ne pas tirer) la MCS à l'arrière (au niveau de la baie de rangement de câble), pour une manœuvrabilité parfaite et pour éviter une élongation
7. Ne pas déplacer la MCS sur des surfaces rugueuses, irrégulières ou cahoteuses comme du gravier.

AVERTISSEMENT: Interdire aux enfants de déplacer la MCS sauf en présence d'un adulte connaissant tous les aspects de cette opération.

AVERTISSEMENT: Ne pas s'asseoir, se tenir ou grimper sur la MCS. La capacité de poids maximale de la surface supérieure est de 11,4 kg (25 lb) et celle de la surface inférieure est de 27,2 kg (60 lb).

ATTENTION: Ne pas utiliser la MCS pour transporter ou ranger des équipements autres que ceux indiqués dans ce guide.

AVERTISSEMENT: Ne pas soulever la MCS par en-dessous.



WARNING
Tip Hazard! Do not allow children to use cart without adult supervision. Failure to follow this warning may result in injury or equipment damage.

AVERTISSEMENT
Risque de renversement. Interdire aux enfants d'utiliser le chariot sans la surveillance d'un adulte. Risque de blessure ou d'endommagement matériel en cas de non-respect de cet avertissement.

ADVERTENCIA
¡Peligro de vuelco! No permita que los niños utilicen el carro sin supervisión de un adulto. En caso contrario, podrían producirse lesiones físicas o daños en el equipo.

WARNUNG
Kippgefahr! Der Wagen darf von Kindern nicht unbeaufsichtigt genutzt werden. Bei Nichtbeachtung dieser Anweisung kann es zu Verletzungen oder zu Sachschäden kommen.

WAARSCHUWING
Kantelgevaar! Sta kinderen niet toe de trolley te gebruiken zonder supervisie van een volwassene. Het nalaten deze waarschuwing op te volgen, kan resulteren in letsel of schade aan de apparatuur.

警告
倾覆危险！严禁儿童在没有成人监护下使用手推车。不遵守此警告可导致受伤或设备损坏。

ATENÇÃO
Advertência! Não permitir que crianças usem o carrinho sem supervisão de adultos. A não observação deste alerta pode resultar em acidentes ou danos ao equipamento.





822-384-01

Ergonomie et alertes de sécurité

Installer la station de travail mobile 2.0 de Dell


La MCS de Dell puede anclarse con los arcos de seguridad situados en la parte posterior del carro (cerca del receptáculo para cables).


 **AVERTISSEMENT:** Risque de blessure corporelle ou d'endommagement matériel en cas de non-respect des consignes de sécurité.

 **ATTENTION:** La MCS doit être régulièrement vérifiée pour s'assurer qu'il n'y a aucun dommage ou des pièces usées devant être remplacées.


 **AVERTISSEMENT:** Ne pas placer la MCS dans des lieux de circulation intense.


 **AVERTISSEMENT:** Ne pas passer les câbles à travers les entrées de porte, les trous des plafonds, les murs ou les planchers.

 **AVERTISSEMENT:** Ne pas passer les câbles à travers les couloirs, les salles de classe ou d'autres emplacements où ils seraient piétinés.


 **AVERTISSEMENT:** Ne pas laisser la MCS sans surveillance dans des lieux accessibles aux enfants.


 **AVERTISSEMENT:** Garder les portes de la MCS fermées et verrouillées dès lors qu'elle est sans surveillance ou installée pour le chargement ou rangée.


 **ATTENTION:** Ne pas bloquer pas les ouvertures de ventilation et d'aération. Pour éviter la surchauffe, laisser un espace libre d'au moins 127 mm (5 pouces) autour des ventilateurs et des aérations.


 **ATTENTION:** Matériel du client – Vérifier que votre matériel soit équilibré et correctement fixé à la MCS. Contacter Ergotron pour plus d'informations sur le déplacement des composants de la MCS.


 **ÉLECTRIQUE:** Ne pas utiliser de produits inflammables sur les surfaces de la MCS.


 **ÉLECTRIQUE:** Utiliser un câble incompatible ou ne pas connecter correctement le câble au boîtier contrôleur peut causer un incendie ou endommager le matériel.


 **ÉLECTRIQUE:** Ne pas placer la MCS à côté de liquides et de gaz inflammables.

 **ATTENTION:** Ajustement, Révision, Remplacement – NE PAS essayer d'ajuster, de réviser ou de remplacer les pièces de la MCS à moins que vous ne suiviez un document approuvé par Ergotron (c'est-à-dire les instructions d'installation). Seul Ergotron, Inc. ou un organisme agréé par Ergotron peut ajuster, réviser ou remplacer composants de la MCS. Si un composant de la MCS est perdu ou endommagé, le chariot ne doit pas être utilisé. Contacter immédiatement le service client d'Ergotron pour commander une pièce de rechange.

 **ATTENTION:** Roulettes – Contrôler périodiquement les roulettes pour vérifier qu'elles soient propres pour garantir un déplacement fluide. Eviter de déplacer la MCS sur des surfaces irrégulières, sales ou endommagées.

 **REMARQUE:** Câbles – Garder les câbles rangés sur la MCS (diverses possibilités vous sont proposées pour cela). Éloigner les câbles superflus des composants amovibles avec des clips de câble. Contacter Ergotron pour de plus amples informations.

 **AVERTISSEMENT:** Ne pas placer d'objets lourds sur la MCS. La capacité de poids maximale de la surface supérieure est de 11,4 kg (25 lb) et celle de la surface inférieure est de 27,2 kg (60 lb).


 **REMARQUE:** Câbles – Garder les câbles rangés sur la MCS (diverses possibilités vous sont proposées pour cela). Éloigner les câbles superflus des composants amovibles avec des clips de câble. Contacter Ergotron pour de plus amples informations.


Nettoyage et entretien

 **AVERTISSEMENT:** Risque de blessure corporelle ou d'endommagement matériel en cas de non-respect des consignes de sécurité.

Vérifier régulièrement qu'il n'y ait pas de dommages, de saleté ou de débris. Tous les composants peints et en plastique présents sur la MCS peuvent être nettoyés avec la plupart des solutions communément utilisées, diluées et non abrasives comme les composés d'ammoniac quaternaires, les nettoyants enzymiques ammoniaqués, la javel et les solutions à base d'alcool. Nous vous recommandons de tester toute solution de nettoyage sur une petite surface cachée afin de s'assurer que le produit est approprié à la surface de la MCS.

- Les marques de marqueur permanent et de marqueur effaçable à sec et de stylo peuvent être effacées avec de l'alcool isopropylique à 91 % et un tissu doux.
- Les tâches d'iode peuvent être retirées avec des produits nettoyants communs et un tissu doux.
- Ne pas utiliser de laine d'acier ou d'autres matières abrasives qui pourraient endommager la finition de la surface.

 **ÉLECTRIQUE:** Pour éviter tout risque de décharge électrique, ne pas exposer les composants électriques à de l'eau, à des solutions nettoyantes ou à d'autres liquides ou substances potentiellement corrosifs.

 **ÉLECTRIQUE:** Ne pas immerger la MCS ou ses composants dans un liquide et ne pas laisser de liquide couler dans la MCS. Nettoyer toutes les surfaces avec un tissu humide immédiatement après utilisation. Bien sécher la surface après nettoyage.

Ergonomie et alertes de sécurité

Câbles d'alimentation et câbles du matériel

Des risques spécifiques associés à l'utilisation d'équipement comportant des câbles d'alimentation existent.

Vous devez connaître ces risques et les éviter lorsque la MCS est située à proximité d'enfants.

! **AVERTISSEMENT:** Risque de blessure corporelle ou d'endommagement matériel en cas de non-respect des consignes de sécurité.

! **ÉLECTRIQUE:** Déconnecter le câble d'alimentation de la MCS de la prise murale avant d'ouvrir le compartiment inférieur. Interdire aux enfants d'ouvrir le compartiment inférieur.

! **ATTENTION:** Poteau double/Fusible neutre.

! **ÉLECTRIQUE:** Le port Ethernet ne convient pas à la connexion avec les circuits utilisés à l'extérieur du bâtiment. Le port Ethernet est sujet à des pannes de paratonnerre ou d'alimentation.

! **ÉLECTRIQUE:** Inspecter Soigneusement les câbles avant chaque utilisation. Ne pas utiliser les câbles endommagés.

! **ÉLECTRIQUE:** Ne pas brancher de sources d'alimentation avec une puissance nominale plus élevée que celle spécifiée pour la MCS.

! **ÉLECTRIQUE:** Ne pas passer le câble à travers les entrées de porte, les trous des plafonds, les murs ou les planchers.

! **ÉLECTRIQUE:** Insérer complètement la fiche dans la prise de courant.

! **ÉLECTRIQUE:** Ne pas retirer, plier ou modifier toute broche ou tige métallique du cordon rétractable.

! **ÉLECTRIQUE:** Ne pas remplacer les adaptateurs CA fournis.

! **ÉLECTRIQUE:** Ne pas exercer une force excessive pour établir les connexions.

! **ÉLECTRIQUE:** Tenir à l'écart de l'eau. Ne pas utiliser lorsque mouillé.

! **ÉLECTRIQUE:** Garder les enfants éloignés du câble.

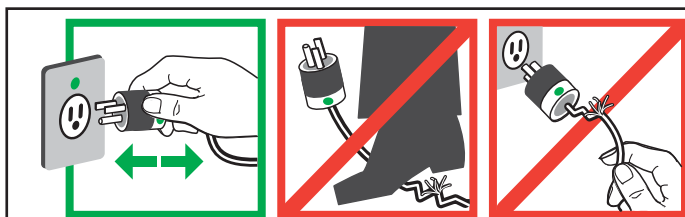
! **ÉLECTRIQUE:** Garder les enfants éloignés des composants internes de la MCS.

! **ÉLECTRIQUE:** Ne pas brancher le câble dans un câble de rallonge.

! **ÉLECTRIQUE:** Éviter toute surchauffe. Dérouler le câble et ne pas le couvrir avec du matériel.

! **ÉLECTRIQUE:** Ne pas entraîner, tirer ou placer des objets sur le câble. Ne pas marcher sur le câble.

! **ÉLECTRIQUE:** Saisir la fiche pour retirer le câble de la prise courant. Ne pas débrancher en tirant sur le câble.



DANGER ÉLECTRIQUE:

Risque de choc électrique

ÉLECTRIQUE: LES CÂBLES ÉLECTRIQUES PEUVENT ÊTRE DANGEREUX

Un mauvais usage peut causer un INCENDIE ou la MORT par CHOC

NOM Información para NOM (únicamente para México)

La información siguiente se proporciona en el dispositivo o dispositivos descritos en este documento, en cumplimiento con los requisitos de la Norma oficial mexicana (NOM):

Importador:

Dell México S.A. de C.V.

Paseo de la Reforma 2620 - 11° Piso

Col. Lomas Altas

11950 México, D.F.

Modelo

Dell MCS 2.0

Voltage de alimentación

120 V~

Frecuencia

50Hz

Consumo eléctrico

12A

Garantie

3 ans pour les composants et fonctions mécaniques/1 an pour les composants et fonctions électriques. Tous les composants de tierces parties (commutateur Ethernet facultatif, routeur sans fil facultatif, câbles d'alimentation Dell et adaptateurs secteur) suivront les garanties définies par leur fabricant.

SOLUTION PERSONNALISÉE POUR DELL PAR ERGOTRON

Pour l'entretien, consultez la page

www.ergotron.com/Dell



© 2010 Ergotron, Inc.
Tous droits réservés.

Tandis qu'Ergotron, Inc. fait tous les efforts pour fournir des renseignements précis et complets sur l'installation et l'utilisation de ses produits, elle ne sera pas tenue responsable pour toutes erreurs ou omissions éditoriales (y compris celles qui sont commises pendant la traduction de l'anglais vers une autre langue), ou pour des dommages fortuits, spéciaux ou consécutifs de quelque nature que ce soit consécutifs à la fourniture de cette information et des performances du matériel en rapport avec cette information. Ergotron, Inc. se réserve le droit de procéder à des changements dans la conception du produit et/ou de la documentation du produit sans le notifier à ses utilisateurs. Pour l'information de produit la plus récente, ou pour savoir si ce document est disponible dans des langues autres que les présentes, veuillez contacter le Service à la clientèle d'Ergotron. Il est interdit de reproduire ou de transmettre le contenu de la présente publication, sous quelque forme ou par quelque moyen que ce soit, enregistrement sur support magnétique, reproduction électronique, mécanique, photographique, ou autre, ou de l'emmagasiner dans un système de recouvrement, sans l'autorisation écrite préalable d'Ergotron, Inc., 1181 Trapp Road, Eagan, Minnesota, 55121, USA Brevets en instance et breveté pour les États-Unis et l'étranger. Ergotron est une marque déposée d'Ergotron, Inc.

Dell Mobile Computing Station 2.0

A Dell™ Mobile Computing Station (MCS) 2.0 transporta e carrega 24 computadores Netbook Latitude™ 2100 ou 2110 e pode incluir um Ponto de acesso wireless (WAP) para rede remota.

Declaração de conformidade FCC – MCS gerenciada apenas

Esta MCS foi testada e está em conformidade com os limites para um dispositivo digital Classe A, de acordo com o Item 15 das normas FCC. Estes limites têm por objetivo fornecer proteção razoável contra a interferência prejudicial quando o equipamento é usado em ambiente comercial. Este equipamento gera, usa e pode irradiar energia de frequência de rádio e, se não instalado e usado de acordo com as instruções, pode causar interferência nociva a sistemas de comunicação. A operação deste dispositivo em uma área residencial tem a probabilidade de causar interferência nociva e, nesse caso, o usuário terá que corrigir essa interferência por conta própria.

A operação deste dispositivo está sujeita a duas condições: (1) este dispositivo não pode causar interferência nociva e (2) este dispositivo deve aceitar qualquer interferência recebida, incluindo interferência que possa causar operação indesejada.

Alerta FCC: Alterações ou modificações não aprovadas expressamente pela Ergotron podem anular a autoridade do usuário para operar o equipamento.

Declaração de exposição à radiação FCC: Este equipamento está em conformidade com os limites de exposição à radiação FCC definidos para um ambiente não controlado. Os usuários finais devem seguir as instruções operacionais específicas para satisfazer a conformidade de exposição RF. Este equipamento não deve ser posicionado ou operado em conjunto com nenhuma outra antena ou transmissor. A distância de separação mínima entre a antena e o indivíduo de modo geral é de 20 cm para manter a conformidade. Este dispositivo digital Classe A está em conformidade com ICES-003 canadense. / Cet appareil numérique de la classe A est conforme à la norme NMB-003 du Canada.

Contém ID FCC: Q87-WAP4410N
AU: 80325206-E 80325206-RT 80325206-PR1
CN SRRC: 2008DJ4488
CE: 80325206-RT
Anatel: 2384-08-2232
SIRIM: RAVG/05L/1209/S(09-2453)
IC-CB: 3839A-WAP4410N



OBSERVAÇÃO: Alguns dispositivos não estarão incluídos, caso não tenham sido encomendados.

OBSERVAÇÃO: Consulte os manuais de produtos separados para Netbooks, Ponto de acesso wireless opcional e Dell PowerConnect™ 3524 Ethernet Switch opcional. Switch.

Revisão dos símbolos de perigo

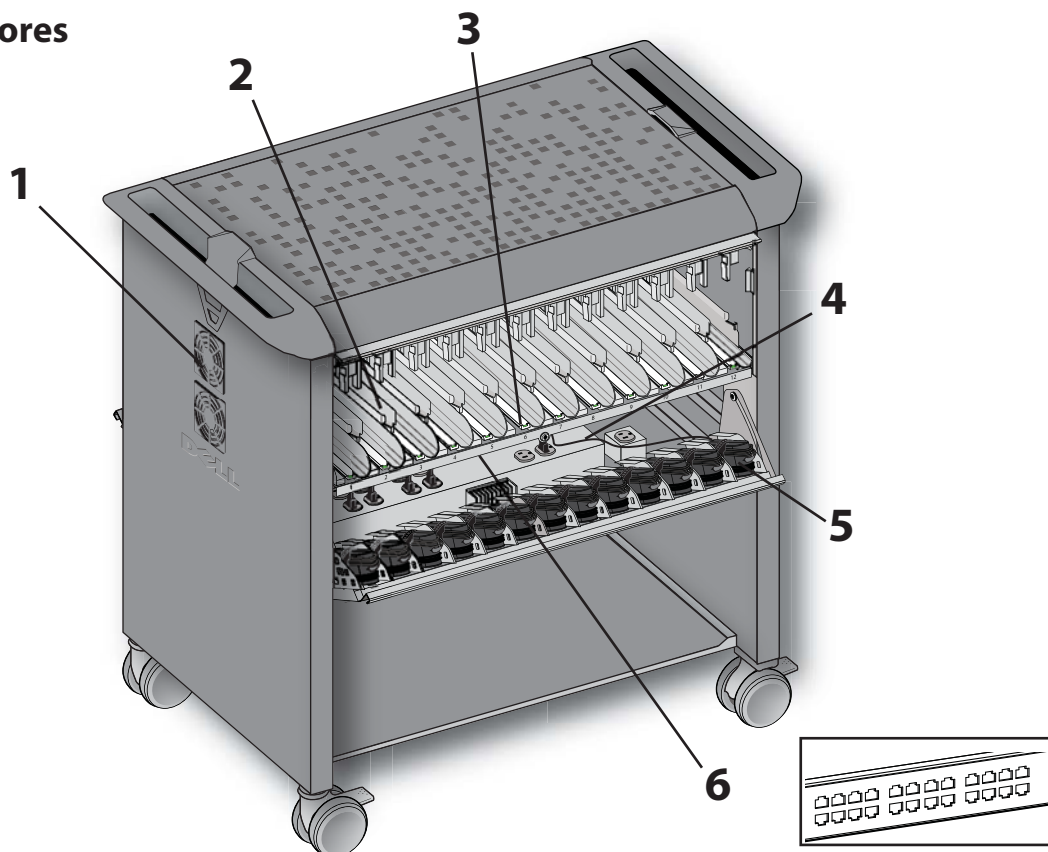
Estes símbolos alertam os usuários sobre uma condição de segurança que exige atenção. Todos os usuários de MCS devem reconhecer e entender a importância dos seguintes riscos de segurança se encontrados na MCS ou na documentação da MCS. Crianças que não sejam capazes de reconhecer e reagir corretamente aos alertas de segurança não devem usar a MCS sem a supervisão de adultos!

Símbolo	Palavra sinalizadora	Nível de perigo
	OBSERVAÇÃO	O símbolo OBSERVAÇÃO indica informações importantes que podem ajudá-lo a usar melhor a sua MCS.
	CAUIDADO	O símbolo CAUIDADO indica possível dano para o hardware ou perda de dados e o informa sobre como evitar o problema.
	ALERTA	O símbolo ALERTA indica a possibilidade de dano à propriedade, acidente pessoal ou morte.
	ELETRICIDADE	O símbolo ELETRICIDADE indica um risco elétrico iminente que, se não evitado, pode resultar em acidente pessoal, incêndio e/ou morte.



Dell Mobile Computing Station 2.0

Recursos interiores



Compartimento superior

1 Ventiladores

⚠ CUIDADO: Não obstruir os ventiladores, nem as aberturas de ventilação. Para impedir o superaquecimento, deixe no mínimo 127 mm de espaço ao redor dos ventiladores e aberturas de ventilação.

2 Armazenamento do Netbook

- Armazenamento e carregamento simultâneo para 24 Netbooks Latitude™ 2100 ou 2110.
- O status da carga de Netbooks individuais é visível quando o compartimento estiver aberto.

3 Base intuitiva

- O perfil da base corresponde ao Netbook para impedir que o usuário insira o Netbook incorretamente.
- Insira e remova da base usando apenas uma mão.
- Uma guia à frente de cada base assegura o encaixe dos conectores de alimentação de energia e de rede com os Netbooks.
- Uma barra verde indica que o Netbook está encaixado corretamente para ser carregado.
- O design exclusivo aceita ambos Netbooks Latitude 2100 ou 2110 padrão e com tela de toque, com configurações de bateria de 3 ou 6 células.

⚠ CUIDADO: A Dell™ Mobile Computing Station (MCS) 2.0 é um equipamento com funcionamento elétrico. Para evitar risco de choque elétrico ou incêndio, ele deve ser usado sob a supervisão de adultos.

Compartimento inferior

4 Caixa controladora contém

- Disjuntores.
- 24 tomadas com conexão de fábrica para adaptadores de CA para Netbook.
- 3 tomadas internas adicionais com conexão de fábrica para:
 - Adaptador 25th de CA
 - Ponto de acesso wireless (WAP) opcional
 - Dell PowerConnect 3524 Ethernet Switch opcional
- A tomada interna aberta (4ª) não deve ser usada.

⚠ CUIDADO: Não conecte equipamento a tomadas abertas.

5 Adaptadores de CA

- 24 adaptadores com conexão de fábrica a bases no compartimento superior.
- O 25º adaptador fornece a distribuição de alimentação de energia à caixa controladora.

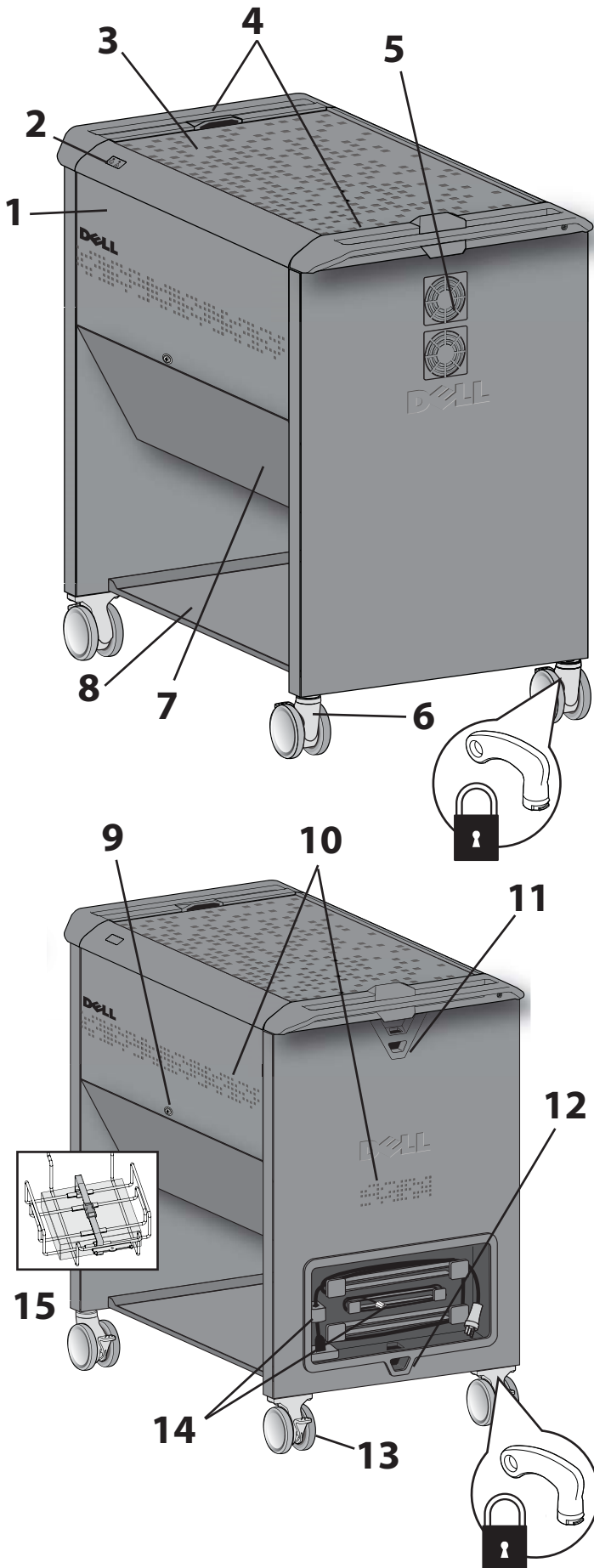
⚠ CUIDADO: Use apenas adaptadores de CA com 3 pinos e 90 watt, na MCS.

6 Ethernet switch opcional

- 24 portas de 10/100 mbps com conexão de fábrica, 2 portas de 1000 mbps.
- Permite atualizações da rede remota para os Netbooks conectados à MCS.

Dell Mobile Computing Station 2.0

Recursos externos



1 Portas retráteis (compartimento superior)

- As portas superiores ficam guardadas sob a superfície de trabalho para garantir o acesso livre aos Netbooks sem alterar a configuração da MCS. Quando fechadas, as portas superiores sobrepõem-se às inferiores e ocultam as travas do compartimento inferior.



CAUIDADO: Mantenha as portas travadas quando a MCS não estiver sendo usada ou estiver em trânsito.

2 Indicador de status de falha/alimentação de energia

- Exibe os indicadores de falha e de alimentação de energia da MCS.

3 Superfície de trabalho com revestimento antiestático

- A capacidade máxima de peso da superfície de trabalho é de 11,4 kg.

4 Alças ergonômicas

- Posicionadas em cada extremidade da MCS para proporcionar máximo conforto e capacidade de manobra.

5 Protetores de ventiladores

- Permitem o fluxo de ar e oferecem proteção para as pás do ventilador.



CAUIDADO: Não obstruir os ventiladores, nem as aberturas de ventilação. Para impedir o superaquecimento, deixe um espaço mínimo de 127 mm ao redor dos ventiladores e aberturas de ventilação.

6 Rodinhas giratórias com travas

- As rodinhas de 101 mm, giratórias, facilitam o direcionamento e a movimentação com relação a obstáculos. É possível travar as rodinhas para impedir a movimentação indesejada; são fornecidas 2 chaves para a trava do freio.

7 Portas com dobradiça e travas (compartimento inferior)

- Quando fechadas, os adaptadores de CA e a caixa controladora não ficam à vista.

- A etiqueta de risco de choque na porta alerta adultos para que proibam crianças de abrir os compartimentos inferiores.



ELETRICIDADE: Sempre desconectar o cabo de alimentação de energia da MCS da tomada na parede antes de abrir os compartimentos inferiores. Não permitir que crianças abram os compartimentos inferiores.

8 Prateleira inferior para armazenamento

- A capacidade máxima de peso da prateleira inferior é de 27,2 kg.

9 Travas

- 4 travas: uma em cada porta do compartimento superior, uma em cada porta do compartimento inferior; todas as quatro travas abrem-se com a mesma chave (são fornecidas 4 chaves).

10 Sistema de ventilação

- As aberturas de ventilação nas laterais e extremidade traseira da MCS melhoram o fluxo de ar; o conteúdo do compartimento não fica à vista.

11 Loops para impedir roubo

- Um loop resistente é localizado próximo à alça, acima do compartimento do cabo.

12 Segurança da MCS

- Um loop resistente é localizado próximo à área recuada de gerenciamento de cabos para ancorar a MCS à parede ou ao piso.

13 Rodinhas fixas traseiras, com trava

- As rodinhas fixas, de 101 mm, facilitam manobrar a MCS.
- As rodinhas podem ser travadas para impedir a movimentação indesejada; são fornecidas 2 chaves para a trava do freio.

14 Compartimento externo de gerenciamento de cabos

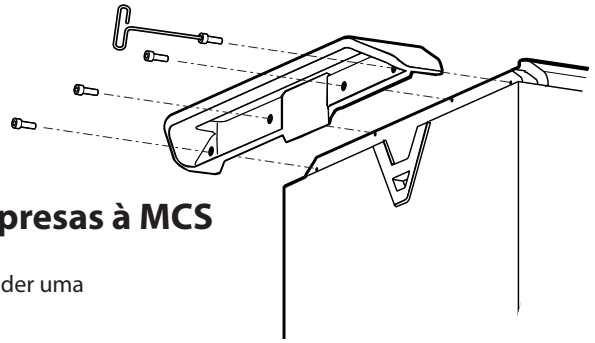
- Mantém o cabo de alimentação de energia da MCS e o cabo de Ethernet organizados, protegidos e à mão; inclui um cabo de alimentação de energia de 2,4 m e cabo de Ethernet de 3 m.

15 Ponto de acesso wireless (WAP) opcional

- Localizado sob os compartimentos inferiores.
- A proteção de metal e as tiras mantêm o WAP em segurança, protegendo-o de danos.

Montar e usar

⚠ CUIDADO: Observe todas as precauções de segurança relacionadas à operação e manutenção da Dell MCS incluídas neste manual de referência! A não observação das precauções de segurança pode resultar em acidentes ou danos ao equipamento.



1 Assegurar que as alças estejam firmemente presas à MCS

8 parafusos (4 em cada alça) e uma chave sextavada são fornecidos para prender uma alça de cada lado da superfície de trabalho da MCS.

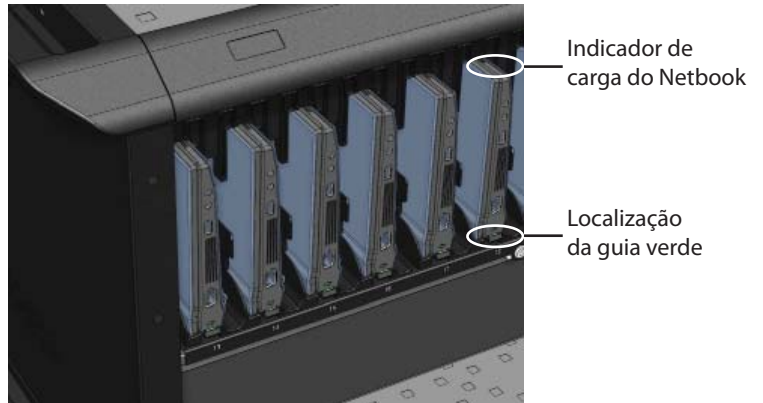
2 Inserir Netbooks nas bases

Com as chaves fornecidas, destravar as duas portas do compartimento superior. Erguer as portas para cima e para fora para que caiam levemente e, depois, erguê-las e empurrá-las sob a superfície de trabalho.

Inserir os Netbooks nas bases com a borda frontal do Netbook na parte superior e os conectores de alimentação de energia/Ethernet voltados para a base.

A guia verde na frente da base ficará visível se o Netbook estiver encaixado corretamente.

A atividade de carregamento pode ser vista na borda superior de cada Netbook quando inserido na base.



⚠ CUIDADO: Para evitar acidentes ou danos ao equipamento, verificar se a área está livre antes de fechar as portas superiores.

⚠ CUIDADO: Não há chave liga/desliga neste equipamento; a única forma de desconectar a alimentação de energia é o cabo de alimentação de energia de CA. Conseqüentemente, o acesso à tomada do soquete deve ser fácil, e ela deve ser instalada próxima ao equipamento.

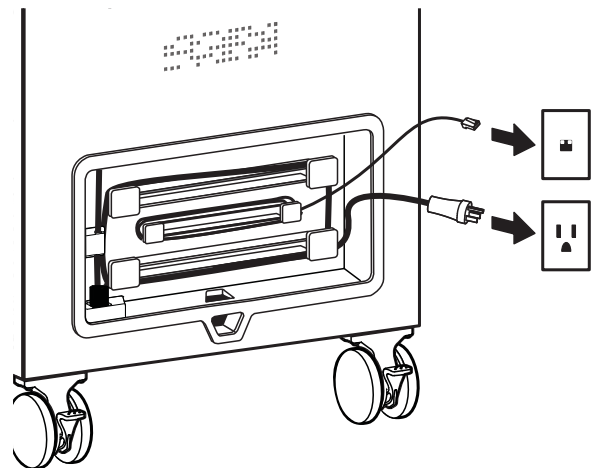
3 Primeira carga da bateria

Antes de usar os Netbooks pela primeira vez ou depois de ficarem algum tempo armazenados, verificar se os Netbooks estão com uma carga completa (100%).

Conectar o cabo de alimentação de energia da MCS a um circuito exclusivo, que não seja compartilhado com outros dispositivos.

Verificar se a luz azul no indicador de status de falha/alimentação de energia próximo à superfície de trabalho da MCS está acesa.

Antes de usá-los pela primeira vez, permitir que os Netbooks carreguem a MCS por no mínimo 2 a 3 horas antes de removê-los das bases.



Monitorar a alimentação de energia

As luzes do indicador de status de falha/alimentação de energia próximas à superfície de trabalho da MCS comunicam as seguintes condições.

Indicador de status de falha/alimentação de energia



Sinal

Luz azul, constante

Luz âmbar, intermitente

Significado

Alimentação de energia "LIGADA"

A temperatura máxima foi excedida.

* Quando a temperatura recomendada foi excedida, a alimentação dos Netbooks é interrompida. A alimentação reinicia quando a temperatura estiver dentro de um intervalo operacional aceitável.



OBSERVAÇÃO: O status da carga de Netbooks individuais pode ser visto diretamente nos Netbooks quando estiverem encaixados nas bases e as portas do compartimento superior estiverem abertas.


Solución de problemas

Problema	Posible causa	Solución
Los portátiles no se cargan.	Es posible que no llegue electricidad a los portátiles de la MCS debido a <ul style="list-style-type: none"> • cable de alimentación desenchufado • mal acoplamiento de los portátiles • circuito eléctrico apagado 	<ul style="list-style-type: none"> • Compruebe que el cable de alimentación está conectado a un enchufe de pared. • Compruebe que el portátil está bien acoplado: la lengüeta verde situada en el borde del acople está visible. • Compruebe los disyuntores. • Si hay otro dispositivo eléctrico que comparte el mismo circuito que la MCS, desenchúfelo.
El indicador ámbar de alimentación/ avería parpadea.	Indica un posible sobrecalentamiento.	<ul style="list-style-type: none"> • Cerciórese de que las áreas de ventiladores y rejillas de ventilación no tienen obstrucciones. • Tome medidas para que la temperatura de la sala quede por debajo de 30° C (86° F). • El cable de alimentación tiene que estar enchufado para que los ventiladores funcionen. Una vez que la temperatura ha bajado lo suficiente, la carga se reanudará.

Si encuentra algún problema no descrito anteriormente, visite www.ergotron.com/Dell

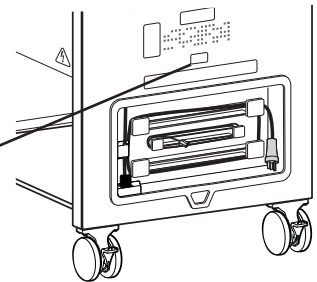
Servicio y garantía

Para recibir servicio de la estación informática móvil Dell 2.0
Visite www.ergotron.com/Dell

 **NOTA:** Cuando se ponga en contacto con el servicio al cliente, mencione el número de serie que aparece en el receptáculo externo para cables.



Necesitará el número de serie para poder hacer uso de la garantía.



PORTUGUÊS

Especificações

Sistema de alimentação de energia

~120 V, 12 A, 60 Hz ou ~220/230/240 V, 8 A, 50/60 Hz dependendo da região e do modelo Dell MCS 2.0

Dimensões físicas da MCS

Altura	982,98 mm
Comprimento	1016 mm
Largura	609,6 mm
Peso (sem Netbooks)	104 kg
Capacidade de peso:	
Superfície superior	11,34 kg
Prateleira inferior	27,2 kg
Teste de inclinação/ângulo	10 graus

Adaptadores de CA (25)

Adaptador CA com 3 pinos e 90 watt

Ponto de acesso wireless (WAP) opcional

Cisco WAP4410N-XX

Ethernet Switch opcional

Dell PowerConnect 3524 Ethernet Switch

Ambiente

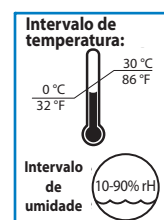
Intervalo de temperatura:

Operacional	0 °C a 30 °C
Armazenamento	-40 °C a 65 °C

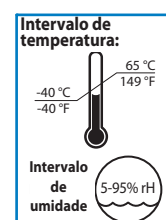
Umidade relativa (máxima):

Operacional	10%–90% (sem condensação)
Armazenamento	5%–95% (sem condensação)

Altitude (máxima): 2000 m



Operacional



Armazenamento

Ergonomia e alertas de segurança

Para movimentar a Dell Mobile Computing Station 2.0

⚠️ ATENÇÃO: A não observação dos seguintes avisos de segurança pode resultar em acidente pessoal grave ou danos ao equipamento.

A Dell Mobile Computing Station (MCS) é projetada para ser usada apenas em ambientes internos.

⚠️ ATENÇÃO: A não observação dos seguintes avisos de segurança pode resultar em acidente pessoal grave ou danos ao equipamento.

1. Desconectar os cabos de alimentação de energia e Ethernet da parede.
2. Verificar se os cabos estão dobrados e seguros.
3. Fechar e travar as portas dos compartimentos superior e inferior.
4. Remover itens da superfície de trabalho superior e da prateleira inferior.
5. Destravar as rodinhas.
6. Empurrar (em vez de puxar) a MCS pela parte traseira (onde está situado o compartimento de gerenciamento de cabos) para obter a capacidade de manobra ideal e prevenir lesões musculares.
7. Não mover a MCS em superfícies irregulares, desniveladas ou ásperas como cascalho.

⚠️ ATENÇÃO: Não permitir que crianças movam a MCS, a menos que supervisionadas por um adulto que esteja familiarizado com todos os aspectos do funcionamento do dispositivo.

⚠️ ATENÇÃO: Não sentar, ficar de pé nem subir na MCS. A capacidade máxima de peso da superfície superior é 11,4 kg e da prateleira inferior é de 27,2 kg.

⚠️ CUIDADO: Não use a MCS para transportar ou armazenar equipamentos além do que foi indicado neste manual.

⚠️ ATENÇÃO: Não erga a MCS pelo fundo.

PORTUGUESE



⚠️ WARNING
Tip Hazard! Do not allow children to use cart without adult supervision. Failure to follow this warning may result in injury or equipment damage.

⚠️ AVERTISSEMENT
Risque de renversement. Interdire aux enfants d'utiliser le chariot sans la surveillance d'un adulte. Risque de blessure ou d'endommagement matériel en cas de non-respect de cet avertissement.

⚠️ ADVERTENCIA
¡Peligro de vuelco! No permita que los niños utilicen el carro sin supervisión de un adulto. En caso contrario, podrían producirse lesiones físicas o daños en el equipo.

⚠️ WARNUNG
Kippgefahr! Der Wagen darf von Kindern nicht unbeaufsichtigt genutzt werden. Bei Nichtbeachtung dieser Anweisung kann es zu Verletzungen oder zu Sachschäden kommen.

⚠️ WAARSCHUWING
Kantelgevaar! Sta kinderen niet toe de trolley te gebruiken zonder supervisie van een volwassene. Het nalaten deze waarschuwing op te volgen, kan resulteren in letsel of schade aan de apparatuur.

⚠️ 警告
倾覆危险！严禁儿童在没有成人监护下使用手推车。不遵守此警告可导致受伤或设备损坏。

⚠️ ATENÇÃO
Advertência! Não permitir que crianças usem o carrinho sem supervisão de adultos. A não observação deste alerta pode resultar em acidentes ou danos ao equipamento.




Diagram illustrating correct and incorrect ways to move the cart. The left side shows a person pushing the cart from the back, which is the correct method. The right side shows a person pulling the cart from the front, which is incorrect. A third diagram shows a person lifting the cart by the bottom, which is also incorrect. A fourth diagram shows a person sitting on the cart, which is prohibited.


822-384-01

Ergonomia e alertas de segurança


Para estacionar a Dell Mobile Computing Station 2.0


A Dell MCS pode ser ancorada com loop de segurança resistente localizado na parte traseira do carrinho, próximo ao compartimento de gerenciamento de cabos.)

 **ATENÇÃO:** A não observação dos seguintes avisos de segurança pode resultar em acidente pessoal grave ou danos ao equipamento.

 **CUIDADO:** Não obstruir os ventiladores, nem as aberturas de ventilação. Para impedir o superaquecimento, deixe no mínimo 127 mm de espaço ao redor dos ventiladores e aberturas de ventilação.

 **ATENÇÃO:** Não estacione a MCS em áreas de tráfego intenso.


 **ATENÇÃO:** Não passar cabos por portas, orifícios no teto, paredes ou pisos.


 **ATENÇÃO:** Não passar cabos em corredores, salas de aula ou outras áreas de movimentação intensa.

 **ATENÇÃO:** Não deixar a MCS abandonada em áreas às quais crianças tenham acesso.

 **ATENÇÃO:** Manter as portas da MCS fechadas e travadas sempre que ela não estiver em uso ou estacionada para carregamento ou armazenamento.


 **ATENÇÃO:** Não ponha objetos pesados sobre a MCS. A capacidade máxima de peso da superfície superior é 11,4 kg e da prateleira inferior é de 27,2 kg.


 **ATENÇÃO:** Não use a MCS para armazenar líquidos nem produtos de limpeza.


 **ELETRICIDADE:** Não ponha a MCS nas proximidades de líquidos ou gases inflamáveis.


 **ELETRICIDADE:** Usar um cabo incompatível ou conectar o cabo incorretamente à caixa controladora pode causar incêndio ou dano ao equipamento.


 **ELETRICIDADE:** Não use produtos de limpeza inflamáveis nas superfícies da MCS.

 **CUIDADO:** Ajuste, conserto, substituição – NÃO tente ajustar, consertar nem substituir nenhuma peça da MCS a menos que orientado a fazê-lo por documentação aprovada pela Ergotron (p. ex., instruções de instalação). Apenas a Ergotron, Inc. ou uma entidade certificada pela Ergotron pode ajustar, consertar ou substituir componentes da MCS. Se algum componente da MCS estiver ausente ou danificado, a MCS não deverá ser usada. Entre em contato com a Ergotron imediatamente para solicitar uma peça de reposição.


 **CUIDADO:** Rodinhas – Verifique as rodinhas periodicamente para assegurar que estejam limpas e livres de detritos que impediriam a movimentação correta. Evitar mover a MCS em superfícies irregulares, sujas ou danificadas.

 **CUIDADO:** Equipamento do cliente – Verificar se o equipamento está equilibrado e montado firmemente à MCS. Entre em contato com a Ergotron para obter informações sobre a movimentação de componentes da MCS.

 **CUIDADO:** A MCS deve ser inspecionada periodicamente quanto à presença de avarias e qualquer peça quebrada deve ser substituída, conforme necessário.


 **OBSERVAÇÃO:** Cabos – Mantenha os cabos organizados na MCS (várias soluções são fornecidas com a sua MCS para essa finalidade). Afaste o excesso de cabos dos componentes móveis com cliques para cabos. Entre em contato com a Ergotron para obter mais informações.


Limpeza e manutenção

 **ATENÇÃO:** A não observação dos seguintes avisos de segurança pode resultar em acidente pessoal grave ou danos ao equipamento.

Inspecionar a existência de avarias, sujeira e detritos regularmente. Todos os componentes plásticos e de pintura usados na MCS resistem à limpeza feita com as soluções diluídas e não abrasivas mais comuns, entre as quais compostos quaternários de amônia, produtos de limpeza com enzima de amônia, alvejante ou soluções à base de álcool. Recomenda-se que qualquer solução de limpeza seja testada em uma área pequena e imperceptível para verificar se ela não danificará a superfície da MCS.

- Marcas de marcadores permanentes, pincéis para quadro branco e canetas podem ser removidas com álcool isopropílico 91% e um pano macio.
- Manchas de iodo podem ser removidas com produtos de limpeza comumente usados e um pano macio.
- Não use palha de aço nem outro material abrasivo que possa danificar o acabamento da superfície.

 **ELETRICIDADE:** Para evitar o risco de choque elétrico, não exponha os componentes elétricos à água, soluções de limpeza ou outros líquidos ou substâncias com potencial corrosivo.

 **ELETRICIDADE:** Não imergir a MCS ou seus componentes em líquidos, nem permitir o fluxo de líquidos na MCS. Limpar imediatamente da superfície todos os produtos de limpeza com pano úmido. Secar bem a superfície depois da limpeza.

Ergonomia e alertas de segurança

Cabos de alimentação de energia e cabos do equipamento

Há riscos específicos associados com o uso de equipamentos que têm cabos de alimentação de energia. É preciso estar ciente desses riscos e evitá-los quando a MCS estiver localizada nas proximidades de crianças.

⚠ ATENÇÃO: A não observação dos seguintes avisos de segurança pode resultar em incêndio ou morte por choque elétrico.

- ⚡ ELETRICIDADE:** Manter longe da água. Não usar quando estiver molhado.
- ⚡ ELETRICIDADE: CUIDADO:** Pólo duplo/fusão neutra.
- ⚡ ELETRICIDADE:** Manter os componentes internos da MCS longe do alcance de crianças.
- ⚡ ELETRICIDADE:** Não conectar o cabo em um cabo de extensão.
- ⚡ ELETRICIDADE:** Evitar o superaquecimento. Desenrolar o cabo e não cobri-lo com nenhum material.
- ⚡ ELETRICIDADE:** Não conduzir, arrastar nem colocar objetos sobre o cabo. Não pisar no cabo.
- ⚡ ELETRICIDADE:** Segurar o plugue para removê-lo da tomada. Não puxar o cabo para desconectá-lo.
- ⚡ ELETRICIDADE:** Não usar força excessiva para fazer conexões.
- ⚡ ELETRICIDADE:** Desconectar o cabo de alimentação de energia da MCS da tomada na parede antes de abrir o compartimento inferior. Não permitir que crianças abram o compartimento inferior.
- ⚡ ELETRICIDADE:** Manter cabos longe do alcance de crianças.
- ⚡ ELETRICIDADE:** A porta Ethernet não é adequada para conexão com circuitos usados fora do edifício. A porta Ethernet está sujeita a raios ou falhas elétricas.
- ⚡ ELETRICIDADE:** Inspeccionar os cabos de alimentação de energia minuciosamente antes de cada uso. Não usar cabos danificados.
- ⚡ ELETRICIDADE:** Não conectar fontes de alimentação de energia com voltagem superior à especificada para a MCS.
- ⚡ ELETRICIDADE:** Não passar cabos por portas, orifícios no teto, paredes ou pisos.
- ⚡ ELETRICIDADE:** Inserir o plugue completamente na tomada.
- ⚡ ELETRICIDADE:** Não remover, dobrar nem modificar nenhum pino de metal ou pinos de cabos.
- ⚡ ELETRICIDADE:** Não substituir os adaptadores de CA fornecidos.

⚡ PERIGO!
Risco de choque elétrico
PERIGO! Cabos elétricos podem ser perigosos. O uso incorreto pode resultar em incêndio ou morte por choque elétrico.

NOM Información para NOM (únicamente para México)
La información siguiente se proporciona en el dispositivo o dispositivos descritos en este documento, en cumplimiento con los requisitos de la Norma oficial mexicana (NOM):

Importador:

Dell México S.A. de C.V.
Paseo de la Reforma 2620 - 11° Piso
Col. Lomas Altas
11950 México, D.F.

Modelo	Voltage de alimentación	Frecuencia	Consumo eléctrico
Dell MCS 2.0	120 V~	50Hz	12A

Garantía

3 años para funciones e componentes mecánicos e 1 año para funciones e componentes eléctricos. Todos os componentes de terceiros (Ethernet Switch opcional, Ponto de acesso wireless (WAP) opcional, cabos de alimentação de energia Dell e adaptadores de CA) seguirão a garantia



© 2010 Ergotron, Inc.
All rights reserved.

While Ergotron, Inc. makes every effort to provide accurate and complete information on the installation and use of its products, it will not be held liable for any editorial errors or omissions (including those made in the process of translation from English to another language), or for incidental, special or consequential damages of any nature resulting from furnishing this instruction and performance of equipment in connection with this instruction. Ergotron, Inc. reserves the right to make changes in the product design and/or product documentation without notification to its users. For the most current product information, or to know if this document is available in languages other than those herein, please contact Ergotron. No part of this publication may be reproduced, stored in a retrieval system, or transmitted in any form or by any means, electronic, mechanical, photocopying, recording or otherwise without the prior written consent of Ergotron, Inc., 1181 Trapp Road, Eagan, Minnesota, 55121, USA. Patents Pending and Patented U.S. & Foreign. Ergotron is a registered trademark of Ergotron, Inc.

SOLUÇÃO PERSONALIZADA PARA A DELL PELA ERGOTRON
Para atendimento, visite www.ergotron.com/Dell

Estación informática móvil Dell 2.0

La estación informática móvil Dell™ (MCS) 2.0 transporta y carga los portátiles 24 Latitude™ 2100 o 2110 y puede incluir un punto de acceso inalámbrico (WAP) opcional para conexión a red remota.

Declaración de conformidad con la FCC - Sólo en MCS administradas

Esta MCS se ha sometido a pruebas y se ha demostrado que cumple los límites de dispositivos digitales de clase A, conforme a la parte 15 de las normas de la FCC. Estos límites están concebidos para proporcionar una protección razonable frente a interferencias cuando el equipo funciona en un entorno comercial. Este equipo genera, utiliza y puede irradiar energía de radiofrecuencia y, si no se instala y utiliza conforme a las instrucciones, puede causar interferencias en las comunicaciones por radio. Es probable que el funcionamiento de este equipo en una zona residencial cause interferencias, en cuyo caso el usuario deberá corregir dichas interferencias corriendo con los gastos.

El funcionamiento queda sujeto a las siguientes dos condiciones: (1) este dispositivo no podrá causar interferencias, y (2) este dispositivo deberá aceptar las interferencias que reciba, incluidas las interferencias que causen un funcionamiento no deseado.

Precaución de la FCC: Cualquier cambio o modificación que no tenga la aprobación expresa de Ergotron podría anular la potestad del usuario para utilizar el equipo.

Declaración de la FCC respecto a la exposición a radiación: Este equipo cumple los límites de exposición de radiación de la FCC estipulados para un entorno incontrolado. Los usuarios finales pueden seguir las instrucciones de funcionamiento relativas a la conformidad de la exposición a RF. Este equipo no deberá colocarse ni utilizarse junto a ninguna otra antena o equipo de transmisión. La separación mínima entre la antena y los transeúntes es de 20 cm (7,9 pulgadas) para respetar la conformidad. Este aparato digital de clase A cumple la norma canadiense ICES-003. / Cet appareil numérique de la classe A est conforme à la norme NMB-003 du Canada.

Contiene ID de la FC: Q87-WAP4410N
AU: 80325206-E 80325206-RT 80325206-PR1
CN SRRC: 2008DJ4488
CE: 80325206-RT
Anatel: 2384-08-2232
SIRIM: RAVG/OSL/1209/S(09-2453)
IC-CB: 3839A-WAP4410N



NOTA: Es posible que no se incluyan algunos dispositivos que no haya pedido.

NOTA: Consulte los manuales de ordenadores portátiles, puntos de acceso inalámbrico opciones y el conmutador Ethernet opcional Dell PowerConnect™ 3524.

Repaso de los símbolos de peligro

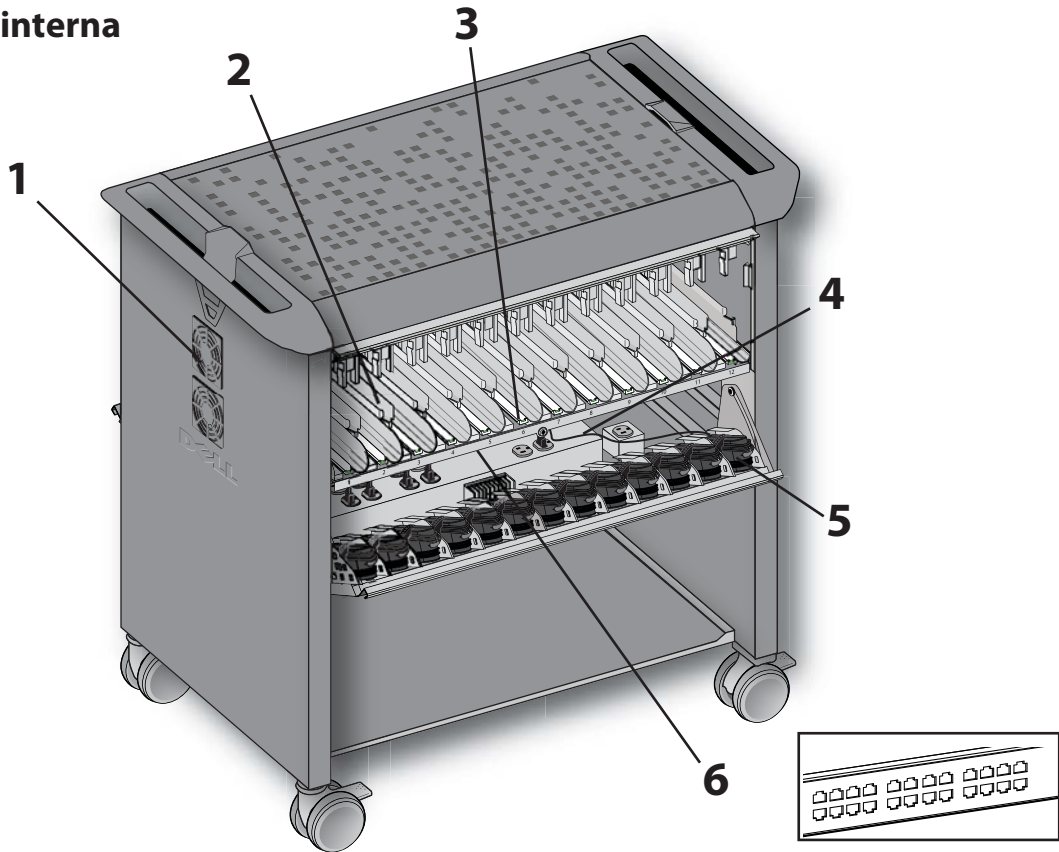
Estos símbolos alertan a los usuarios de situaciones peligrosas que requieren atención. Todos los usuarios de la MCS deberán ser capaces de identificar y entender el significado de los siguientes riesgos de seguridad que aparecen en la MCS o en su documentación. Los niños que no puedan identificar las alertas de seguridad y responder de forma adecuada no deberán utilizar la MCS sin la supervisión de un adulto.

Símbolo	Palabra	Nivel de peligro
	NOTA	Una NOTA indica información importante que le ayuda a utilizar mejor la MCS.
	PRECAUCIÓN	Una PRECAUCIÓN indica la posibilidad de daños en el equipo o pérdida de datos y le indica cómo evitar el problema.
	ADVERTENCIA	Una ADVERTENCIA indica la posibilidad de daños en el equipo, lesiones físicas o muerte.
	ELECTRICIDAD	Un símbolo de ELECTRICIDAD indica un riesgo eléctrico inminente que de no evitarse puede producir lesiones, incendios o la muerte.



Estación informática móvil Dell 2.0

Características interna



Compartimento superior

1 Ventiladores de refrigeración

PRECAUCIÓN: No bloquee los ventiladores ni las rejillas de ventilación. Para impedir sobrecalentamientos, deje un espacio libre de como mínimo 127 mm (5 pulgadas) alrededor de ventiladores y rejillas.

2 Almacenamiento para portátiles

- Almacenamiento y carga simultánea de portátiles 24 Latitude™ 2100 o 2110.
- La carga de cada portátil se ve cuando está abierto el compartimento.

3 Acoplamiento intuitivo

- El perfil de acoplamiento coincide con el del portátil para impedir que el usuario inserte el portátil de forma errónea.
- Se acopla y desacopla con sólo una mano.
- Cada acople tiene una lengüeta para fijar los conectores de alimentación y de redes de los portátiles.
- La presencia de una barra verde indica que el portátil está bien colocado para cargarse.
- Su diseño exclusivo acepta pantallas normales y táctiles Portátiles Latitude 2100 o 2110 con batería de 3 o de 6 celdas.

PRECAUCIÓN: La estación informática móvil Dell 2.0 es un equipo que funciona con electricidad. Para evitar el riesgo de descarga eléctrica o incendio, deberá utilizarse bajo la supervisión de un adulto.

Compartimento inferior

4 Carcasas de cuadros de control

- Disyuntores.
- 24 salidas vienen conectadas de fábrica a adaptadores de CA para portátiles.
- 3 salidas internas para accesorios conectadas de fábrica a:
 - 25 adaptador de CA
 - punto de acceso inalámbrico (WAP) opcional
 - conmutador Ethernet opcional Dell PowerConnect 3524.
- No se debe utilizar la salida interna abierta (4).

PRECAUCIÓN: No conecte equipos a salidas abiertas.

5 Adaptadores de CA

- 24 adaptadores conectados de fábrica a acoplamientos en compartimento superior
- 25 adaptador que distribuye electricidad al cuadro de control.

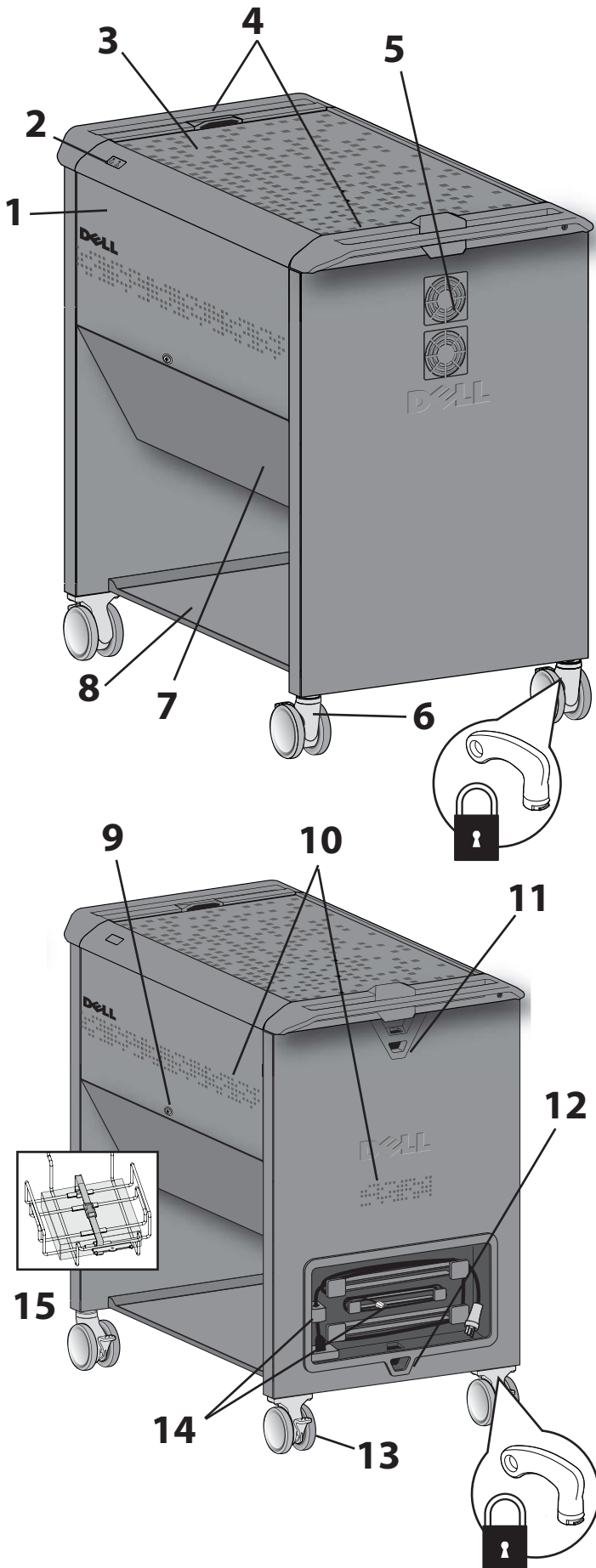
PRECAUCIÓN: Utilice solamente adaptadores CA de 3 clavijas y 90 W en la MCS.

6 Conmutador Ethernet opcional

- 24, conectado de fábrica, puertos de 10/100 mbps, 2 puertos de 1000 mbps.
- Permite actualizaciones remotas de los portátiles acoplados en la MCS mediante red.

Estación informática móvil Dell 2.0

Características externa



1 Puertas retraíbles (compartimento superior)

- Las puertas superiores se repliegan bajo la superficie de trabajo para permitir el acceso sin obstrucciones a los portátiles sin que la MCS requiera más espacio. Cuando están cerradas, las puertas superiores se solapan con las inferiores y ocultan las cerraduras del compartimento inferior.

PRECAUCIÓN: Mantenga las puertas cerradas cuando no haya nadie atendiendo a la MCS y durante el transporte.

2 Indicador de alimentación/avería

- Muestra los indicadores de avería y de alimentación de la MCS.

3 Superficie de trabajo con almohadilla antiestática

- La superficie de trabajo soporta un peso máximo de 11,4 kg (25 lb).

4 Asas ergonómicas

- Situadas a ambos extremos de la MCS para ofrecer un confort y maniobrabilidad óptimos.

5 Protectores de ventiladores

- Permiten el flujo del aire y protegen contra las aspas de los ventiladores.

PRECAUCIÓN: No bloquee los ventiladores ni las rejillas de ventilación. Para impedir sobrecalentamientos, deje un espacio libre de como mínimo 127 mm (5 pulgadas) alrededor de los ventiladores y las rejillas de ventilación.

6 Ruedas pivotantes frontales con fijaciones

- Gracias a las ruedas pivotantes de 101 mm (4 pulgadas), es fácil girar y trasladar la unidad de una habitación a otra; las ruedas pueden fijarse para impedir que rueden; se incluyen 2 fijaciones para el freno de bloqueo.

7 Puertas con cierre y bisagras (compartimento inferior)

- Cuando están cerradas, los adaptadores de CA y el cuadro de control quedan ocultos.
- La etiqueta de riesgo de descarga situado en la puerta advierte a los adultos que impidan a los niños abrir los compartimentos inferiores.

ELECTRICIDAD: Desconecte siempre el cable de alimentación de la MCS del enchufe de pared antes de abrir los compartimentos inferiores. No permita que los niños abran los compartimentos inferiores.

8 Estante de almacenamiento inferior

- El estante inferior soporta un peso máximo de 27,2 kg (60 lb).

9 Cerraduras

- El estante inferior soporta un peso máximo de 27,2 kg (60 lb).
- 4 cerraduras: una en cada puerta del compartimento superior, y una en cada puerta del compartimento inferior; las cuatro se abren con la misma llave (se incluyen 4 llaves).

10 Sistema de ventilación

- Las rejillas situadas en los laterales y en la parte trasera de la MCS facilitan el flujo del aire; el contenido de los compartimentos queda oculto a la vista.

11 Arcos antirrobo

- Hay un arco resistente cerca del asa situada encima del receptáculo para cables.

12 Seguridad de la MCS

- Hay un arco resistente situado cerca de la zona de organización de cables para anclar la MCS a la pared o al suelo.

13 Ruedas traseras con fijaciones

- Las ruedas fijas de 101 mm (4 pulgadas) facilitan las maniobras de la MCS.
- Las ruedas pueden bloquearse para impedir que giren; se incluyen 3 fijaciones para la función de freno.

14 Receptáculo externo para organización de cables

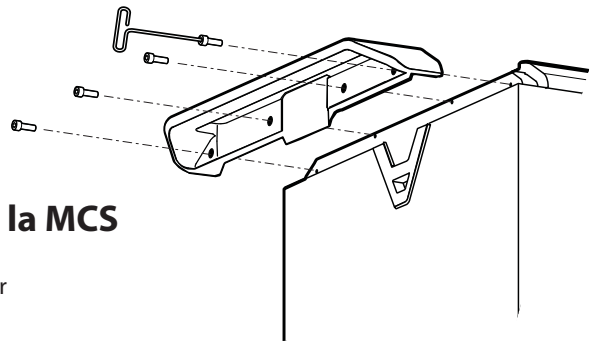
- Mantiene los cables de alimentación y de Ethernet de la MCS organizados, protegidos y a mano; incluye un cable de alimentación de 2,4 m (8 pies) y un cable Ethernet de 3 m (10 pies).

15 Punto de acceso inalámbrico (WAP) opcional

- Situado debajo de los compartimentos inferiores.
- El protector de cables y la correa fijan el WAP y lo protegen contra daños.

Preparación y puesta en marcha

PRECAUCIÓN: Siga todas las medidas de seguridad de funcionamiento y mantenimiento de la MCS de Dell que se incluyen en este manual de consulta. En caso contrario, pueden producirse lesiones físicas o daños en el equipo.



1 Compruebe que las asas están bien fijadas a la MCS

Se incluyen ocho tornillos (cuatro en cada asa) y una llave hexagonal para fijar un asa en cada extremo de la superficie de trabajo de la MCS.

2 Inserte los portátiles en los acoples

Utilice las llaves provistas para abrir las dos puertas del compartimento superior. Eleve las puertas para sacarlas y déjelas caer ligeramente; seguidamente, elévelas y empújelas para colocarlas debajo de la superficie de trabajo.

Inserte los portátiles en los acoples con el borde frontal del portátil en la parte superior y las conexiones de alimentación/Ethernet hacia la estación de acople.

La lengüeta verde situada en la parte frontal del acople quedará visible si el portátil ha quedado bien colocado.



Ubicación de la lengüeta verde

Indicador de carga de portátil

La actividad de carga de la batería puede verse en el borde superior de los portátiles cuando están acoplados.

PRECAUCIÓN: Este equipo no tiene conmutador de apagado/encendido; el cable de alimentación de CA es la única desconexión de la electricidad.

PRECAUCIÓN: Para evitar lesiones o daños en el equipo, cerciórese de que el área está despejada antes de cerrar las puertas superiores.

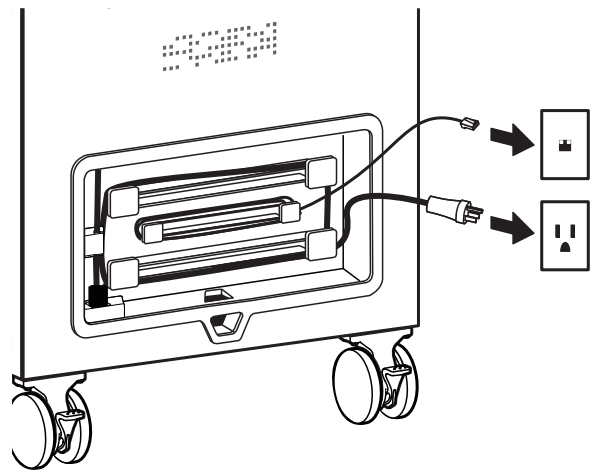
3 Primera carga de la batería

Antes de utilizar los portátiles por primera vez, o si han pasado bastante tiempo almacenados, compruebe que la batería tiene una carga completa (100%).

Conecte el cable de alimentación de la MCS a un circuito exclusivo (que no se comparta con otros dispositivos).

Compruebe que la luz azul del indicador de alimentación/avería situada cerca de la superficie de trabajo de la MCS está encendida.

Cuando vaya a utilizarlos por primera vez, deje que los portátiles se carguen en la MCS durante 2 o 3 horas como mínimo antes de desacoplarlos.



Supervisión de la alimentación del portátil

Los indicadores de alimentación/avería que hay cerca de la superficie de trabajo de la MCS comunican las siguientes situaciones.

Indicador de alimentación/avería

Señales

Significado



Luz azul continua

de alimentación "ENCENDIDA"

Luz ámbar parpadeante

se ha superado la temperatura máxima

* Cuando se haya superado la temperatura recomendada, se desconecta la alimentación al portátil. La carga se reanuda una vez que la temperatura vuelva a estar dentro de un rango operativo aceptable.

NOTA: El estado de la carta de cada portátil puede verse cuando está acoplado y las puertas del compartimento superior están abiertas.


Troubleshooting

Problema	Posible causa	Solución
Los portátiles no se cargan.	Es posible que no llegue electricidad a los portátiles de la MCS debido a: <ul style="list-style-type: none"> • cable de alimentación desenchufado • mal acoplamiento de los portátiles • circuito eléctrico apagado. 	<ul style="list-style-type: none"> • Compruebe que el cable de alimentación está conectado a un enchufe de pared. • Compruebe que el portátil está bien acoplado: la lengüeta verde situada en el borde del acople está visible. • Compruebe los disyuntores. • Si hay otro dispositivo eléctrico que comparte el mismo circuito que la MCS, desenchúfelo.
El indicador ámbar de alimentación/ avería parpadea.	Indica un posible sobrecalentamiento.	<ul style="list-style-type: none"> • Cerciórese de que las áreas de ventiladores y rejillas de ventilación no tienen obstrucciones. • Tome medidas para que la temperatura de la sala quede por debajo de 30° C (86° F). • El cable de alimentación tiene que estar enchufado para que los ventiladores funcionen. Una vez que la temperatura ha bajado lo suficiente, la carga se reanudará.

Si encuentra algún problema no descrito anteriormente, visite www.ergotron.com/Dell

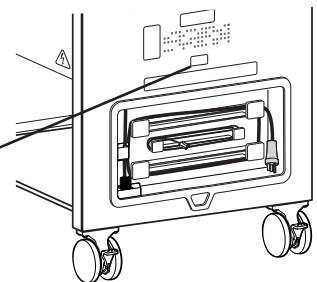
Servicio y garantía

Para recibir servicio de la estación informática móvil Dell 2.0
Visite www.ergotron.com/Dell

 **NOTA:** Cuando se ponga en contacto con el servicio al cliente, mencione el número de serie que aparece en el receptáculo externo para cables.



Necesitará el número de serie para poder hacer uso de la garantía.



Especificaciones

Sistema de alimentación

120 V~, 12 A, 60 Hz o 220/230/240 V~, 8 A, 50/60 Hz en función de la región y del modelo de la MCS 2.0 de Dell

Dimensiones físicas de la MCS

Altura	982,98 mm (38,7 pulgadas)
Longitud	1016 mm (40 pulgadas)
Anchura	609,6 mm (24 pulgadas)
Peso (sin portátiles)	104 kg (230 lb)
Capacidad de soporte de peso:	
Superficie superior	11,34 kg (25 lb)
Estante inferior	27,2 kg (60 lb)
Prueba de vuelco/Ángulo de	10 grados

Adaptadores de CA (25)

Adaptador de CA de 90 W y 3 clavijas

Punto de acceso inalámbrico (WAP) opcional

Cisco WAP4410N-XX

Conmutador Ethernet (opcional)

Conmutador Ethernet Dell PowerConnect 3524

Ambiente

Rango de temperatura:

Funcionamiento de 0° a 30° C (de 32° a 86° F)

Almacenamiento de -40° a 65° C (de -40° a 149° F)

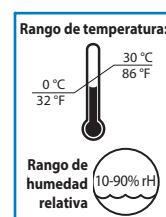
Humedad relativa máxima:

Funcionamiento 10%–90% (sin condensación)

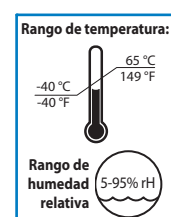
Almacenamiento 5%–95% (sin condensación)

Altitud máxima:

2.000 m (6.562 pies)



Funcionamiento



Almacenamiento

Alertas de ergonomía y seguridad

Traslado de la estación informática móvil Dell 2.0

La estación informática móvil (MCS) de Dell está diseñada para uso exclusivo en interiores.

! **ADVERTENCIA:** El incumplimiento de las siguientes instrucciones de seguridad puede causar lesiones físicas graves y dañar el equipo.

! **ADVERTENCIA:** Antes de trasladar la MCS:

1. Desconecte los cables de Ethernet y de alimentación de la pared.
2. Compruebe que los cables están recogidos y fijados.
3. Cierre con llave las puertas de los compartimentos superior e inferior.
4. Retire los elementos que haya en la superficie de trabajo y en el estante inferior.
5. Desbloquee las ruedas.
6. Empuje la MCS (no tire de ella) por su parte trasera, donde está el receptáculo para cables, para facilitar las maniobras al máximo y evitar tensiones musculares.
7. No desplace la MCS por superficies en mal estado, desiguales o irregulares, como por ejemplo gravilla.

! **ADVERTENCIA:** No deje que los niños trasladen la MCS si no están bajo supervisión de un adulto que conozca bien todos sus aspectos de funcionamiento.

! **ADVERTENCIA:** No se sienta ni se suba en la MCS. La capacidad máxima de peso de la superficie superior es de 11,4 kg (25 lb) y la del estante superior es de 27,2 kg (60 lb).

! **PRECAUCIÓN:** No utilice la MCS para transportar ni almacenar equipos que no vengan especificados en este manual.

! **ADVERTENCIA:** No eleve la MCS desde su parte inferior.



! **WARNING**
Tip Hazard! Do not allow children to use cart without adult supervision. Failure to follow this warning may result in injury or equipment damage.

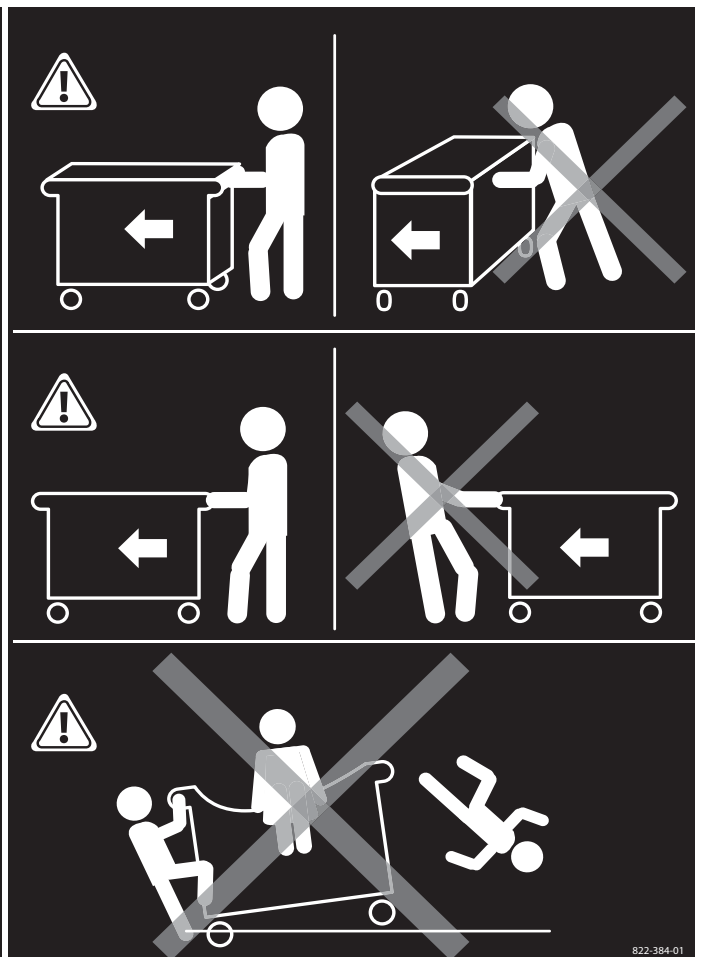
! **AVERTISSEMENT**
Risque de renversement. Interdite aux enfants d'utiliser le chariot sans la surveillance d'un adulte. Risque de blessure ou d'endommagement matériel en cas de non-respect de cet avertissement.

! **ADVERTENCIA**
¡Peligro de vuelco! No permita que los niños utilicen el carro sin supervisión de un adulto. En caso contrario, podrían producirse lesiones físicas o daños en el equipo.

! **WAARSCHUWING**
Kantelgevaar! Sta kinderen niet toe de trolley te gebruiken zonder supervisie van een volwassene. Het nalaten deze waarschuwing op te volgen, kan resulteren in letsel of schade aan de apparatuur.

! **警告**
倾覆危险! 严禁儿童在没有成人监护下使用手推车。不遵守此警告可导致受伤或设备损坏。

! **ATENÇÃO**
Advertência! Não permitir que crianças usem o carrinho sem supervisão de adultos. A não observação deste alerta pode resultar em acidentes ou danos ao equipamento.





822-384-01

Alertas de ergonomía y seguridad


Aparcamiento de la estación informática móvil Dell 2.0


La MCS de Dell puede anclarse con los arcos de seguridad situados en la parte posterior del carro (cerca del receptáculo para cables).

 **ADVERTENCIA:** El incumplimiento de las siguientes instrucciones de seguridad puede causar lesiones físicas graves y dañar el equipo.


 **PRECAUCIÓN:** No bloquee los ventiladores ni las rejillas de ventilación. Para prevenir sobrecalentamientos, deje un espacio libre de como mínimo 127 mm (5 pulgadas) alrededor de los ventiladores y las rejillas de ventilación.


 **ADVERTENCIA:** No aparque la MCS en zonas de tránsito intenso.


 **ADVERTENCIA:** No tire cables a través de puertas, agujeros en techos o paredes ni suelos.

 **ADVERTENCIA:** No tire cables en pasillos, aulas u otras zonas donde los puedan pisar.


 **ADVERTENCIA:** No deje la MCS desatendida en zonas a las que tengan acceso los niños.


 **ADVERTENCIA:** Mantenga las puertas de la MCS cerradas con llave cuando esté desatendida o aparcada para cargar portátiles o almacenada.


 **ADVERTENCIA:** No coloque objetos pesados encima de la MCS. La capacidad máxima de peso de la superficie superior es de 11,4 kg (25 lb) y la del estante superior es de 27,2 kg (60 lb).


 **ADVERTENCIA:** No utilice la MCS para guardar líquidos ni productos de limpieza.


 **ELECTRICIDAD:** No coloque la MCS cerca de líquidos o gases inflamables.


 **ELECTRICIDAD:** El uso de un cable incompatible o una conexión inadecuada entre el cable y el cuadro de control puede causar un incendio o daños en el equipo.

 **PRECAUCIÓN:** Ajuste, servicio y recambio de piezas: NO intente ajustar, reparar ni recambiar ninguna pieza de la MCS salvo que se le indique Documentación autorizada por Ergotron (es decir, instrucciones de instalación). Sólo Ergotron, Inc. o una empresa certificada por Ergotron, pueden ajustar, realizar el mantenimiento o reemplazar componentes de la MCS. Si hay algún componente de la MCS que falta o está dañado, no deberá utilizarse la MCS. Póngase en contacto con Ergotron inmediatamente para solicitar piezas de repuesto.

 **PRECAUCIÓN:** Ruedas pivotantes: controle las ruedas periódicamente para asegurarse de que estén limpias y libres de suciedad que podría impedir un recorrido uniforme. Evite desplazar la MCS por superficies irregulares, sucias o dañadas.

 **PRECAUCIÓN:** Equipo del cliente: Asegúrese de que esté en equilibrio e instalado firmemente en la MCS. Si necesita información para trasladar componentes de la MCS, póngase en contacto con Ergotron.

 **PRECAUCIÓN:** Inspecciones periódicamente la MCS por si hubiera daños, y cambie las piezas rotas según sea necesario.


 **NOTA:** Cables: Mantenga los cables dispuestos ordenadamente en la MCS (ésta incluye varias soluciones para ello). El cable sobrante deberá mantenerse alejado de los componentes móviles con ayuda de grapas para cables. Póngase en contacto con Ergotron para obtener más información.


Limpieza y mantenimiento

 **ADVERTENCIA:** El incumplimiento de las siguientes instrucciones de seguridad puede causar lesiones físicas graves y dañar el equipo.

Compruebe periódicamente si hay daños, suciedad o elementos extraños. Todos los componentes de pintura y de plástico utilizados en la MCS resisten la limpieza con los productos de uso más común (soluciones diluidas no abrasivas como compuestos cuaternarios de amoníaco, agentes limpiadores enzimáticos con amoníaco, lejía o soluciones con alcohol). Se recomienda probar las soluciones de limpieza en una zona pequeña y que no quede muy visible para cerciorarse de que la superficie de la MCS no resulta dañada.

- Las marcas de bolígrafo y rotuladores permanentes o de borrado en seco pueden quitarse con alcohol isopropílico al 91% y un paño suave.
- Las manchas de yodo pueden quitarse con limpiadores de uso común y un paño suave.
- Nunca use estropajo de acero u otros materiales abrasivos que podrían estropear el acabado superficial.

 **ELECTRICIDAD:** Para evitar el riesgo de descargas, no exponga los componentes eléctricos al agua, soluciones limpiadoras u otros líquidos o sustancias potencialmente corrosivos.

 **ELECTRICIDAD:** No sumerja la MCS ni sus componentes en líquidos, ni permita la entrada de líquidos en su interior. Quite inmediatamente con un paño húmedo todos los limpiadores de la superficie. Tras limpiar la unidad, seque minuciosamente la superficie.

Alertas de ergonomía y seguridad

Cables de alimentación y de equipos

Existen riesgos específicos asociados con el uso de equipos que incluyen cables de alimentación. Deberá estar al tanto de dichos riesgos y evitarlos cuando la MCS está colocada cerca de niños.

! **ADVERTENCIA:** En caso de no observar los siguientes avisos de seguridad, pueden producirse incendios o muertes por descargas eléctricas.

ELECTRICIDAD: Desenchufe de la pared el cable de alimentación de la MCS antes de abrir el compartimento inferior. No permita que los niños abran el compartimento inferior.

PRECAUCIÓN: Polo doble / Fusible neutro.

ELECTRICIDAD: El puerto Ethernet no es adecuado para su conexión a circuitos que se utilicen fuera del edificio. El puerto Ethernet está sujeto a descargas de relámpagos y fallos de alimentación.

ELECTRICIDAD: Inspeccione detenidamente los cables de alimentación antes de cada uso. No utilice cables que estén dañados.

ELECTRICIDAD: No enchufe a fuentes de alimentación con potencia nominal superior a la especificada para la MCS.

ELECTRICIDAD: No tire cables a través de puertas, agujeros en techos o paredes ni suelos.

ELECTRICIDAD: Inserte el enchufe completamente en su receptáculo.

ELECTRICIDAD: No quite, doble ni modifique ninguna clavija metálica ni terminaciones de cable.

ELECTRICIDAD: No sustituya los adaptadores de CA que se proporcionan.

ELECTRICIDAD: No utilice una fuerza excesiva para hacer las conexiones.

ELECTRICIDAD: Mantenga lejos del agua. Evite el uso en presencia de humedad.

ELECTRICIDAD: Mantenga a los niños alejados del cable.

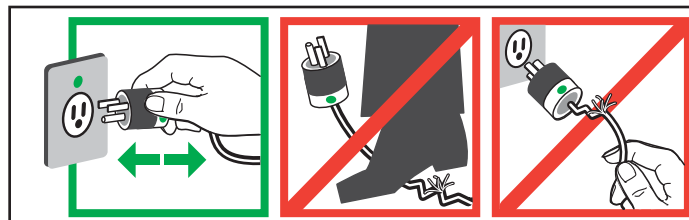
ELECTRICIDAD: Mantenga a los niños alejados de los componentes internos de la MCS.

ELECTRICIDAD: No enchufe el cable a un cable alargador.

ELECTRICIDAD: Evite sobrecalentamientos. Desenrolle el cable y no lo cubra con ningún material.

ELECTRICIDAD: No mueva, arrastre ni coloque objetos sobre el cable. No pise el cable.

ELECTRICIDAD: Agarre el enchufe para sacarlo de la salida. No lo desenchufe tirando del cable.



¡PELIGRO!

RIESGO DE DESCARGA ELÉCTRICA

¡PELIGRO! Los cables eléctricos pueden ser peligrosos. Un uso no adecuado puede causar un incendio o muerte por descarga eléctrica.

NOM Información para NOM (únicamente para México)

La información siguiente se proporciona en el dispositivo o dispositivos descritos en este documento, en cumplimiento con los requisitos de la Norma oficial mexicana (NOM):

Importador:

Dell México S.A. de C.V.

Paseo de la Reforma 2620 - 11° Piso

Col. Lomas Altas

11950 México, D.F.

Modelo

Dell MCS 2.0

Voltage de alimentación

120 V~

Frecuencia

50Hz

Consumo eléctrico

12A

Garantía

3 años para funciones y componentes mecánicos y 1 año para funciones y componentes eléctricos. Todos los componentes de otros fabricantes (opciones de conmutador de Ethernet y de punto de acceso inalámbrico, cables de alimentación de Dell y adaptadores de CA) contarán con la garantía de sus respectivos fabricantes.

SOLUCIÓN PERSONALIZADA DE ERGOTRON PARA DELL
Para recibir servicio visite www.ergotron.com/Dell



© 2010 Ergotron, Inc.
All rights reserved.

Aunque Ergotron, Inc. realiza todos los esfuerzos posibles para ofrecer información precisa y completa sobre la instalación y uso de sus productos, no podrá imputársele responsabilidad alguna por ningún error editorial u omisión (incluyendo los que ocurren durante el proceso de traducción del inglés a otro idioma), ni por ningún daño incidental, especial o emergente, de cualquier naturaleza, que resulte del suministro de estas instrucciones y del funcionamiento del equipo en correspondencia con ellas. Ergotron, Inc. se reserva el derecho de hacer cambios en el diseño del producto y/o su documentación sin aviso a sus usuarios. Para obtener la información más actualizada del producto, o para saber si este documento está disponible en otros idiomas diferentes de éste, por favor contacte con el Servicio de Atención al Cliente de Ergotron. Ninguna porción de esta publicación puede reproducirse, almacenarse en un sistema de recuperación, ni transmitirse de ninguna forma ni ningún medio, ya sea electrónico, mecánico, por fotocopia, grabación o de otra manera sin consentimiento previo y por escrito de Ergotron, Inc., 1181 Trap Road, Eagan, Minnesota, 55121, EE.UU. Patentes en trámite y Patentada en EE.UU. y el extranjero. Ergotron es una marca comercial registrada de Ergotron, Inc.